

Kaltru

OPERATION CAPACITY



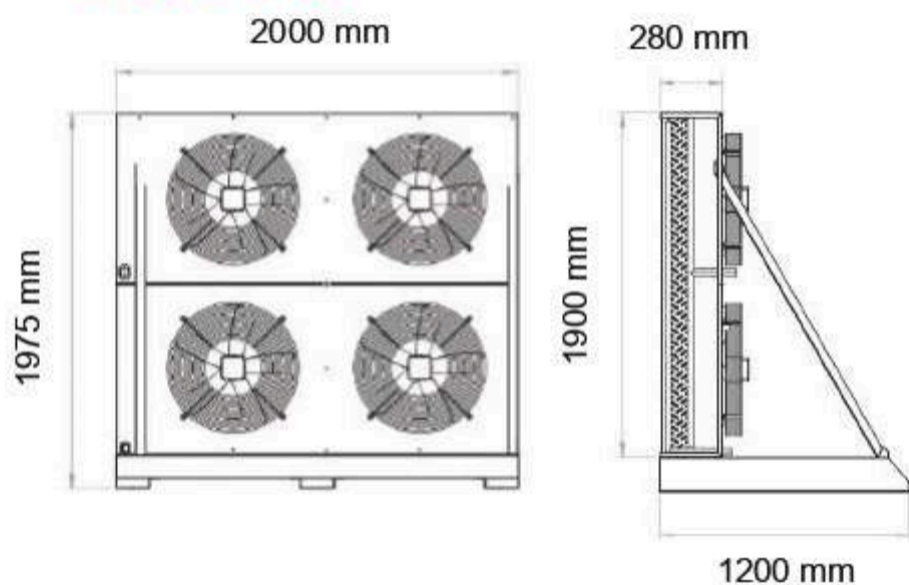
Qc (Kw): 31.2

Pi (Kw): 21.6

Qc: Cooling Capacity at Te = -25 °C and Tc = +50 °C

Pi: Power Input at Te = -25 °C and Tc = +50 °C

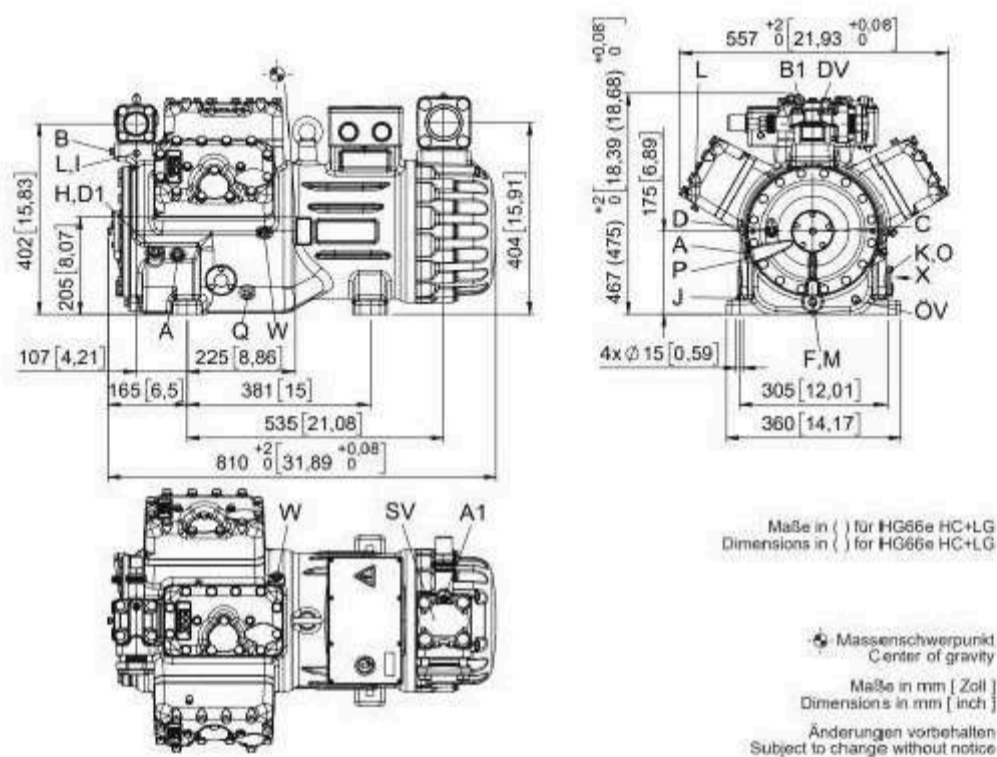
Model No. : KAL-077S6-HGX66e/1340-4



Condenser Specification

Condenser Model	KC 077
Fan	
Qty.	4
Diameter (mm)	630
Air Flow (m3/h)	49600
Electrical	
supply	440-480V/3Ph/60Hz
Power Input (Watt)	650 x 4
Condenser Coil	
Internal Volume (l)	34.9
Heat Transfer Area (m2)	202.0
Headers	
Inlet (Inch)	1-5/8"
Outlet (Inch)	1-3/8"

Unit Model	(Tc)	Cooling Power	(Te) Evaporating Temperature °C						
			-5	-10	-15	-20	-25	-30	-35
KAL077S6-HGX66e/1340-4	30	Q	114000	93400	76000	60800	47800	36700	27400
		P	28	26.4	24.5	22.3	19.9	17.4	14.9
	35	Q	105000	86200	69900	55800	43700	33400	24600
		P	30.1	28.1	25.8	23.2	20.5	17.8	15
	40	Q	96200	78900	63800	50800	39600	30000	21900
		P	32.1	29.6	26.9	24	21	18	15
	45	Q	87200	71300	57500	45600	35400	26700	19300
		P	33.8	30.9	27.9	24.7	21.4	18.1	14.9
	50	Q	78000	63600	51100	40400	31200	23400	16800
		P	35.4	32.1	28.7	25.2	21.6	18.1	14.7
	55	Q	68700	55700	44600	35100	27000	20200	14400
		P	36.7	33.1	29.3	25.5	21.7	17.9	14.4



Compressor Specification

Unit Model	KAL-077S6-HGX66e/1340-4
Technical Data	
Condensing Unit Net Weight	596.0 kg
Displacement (1750 RPM 60Hz)	139.8 m3/hr
Max. Pressure (LP/HP)	19 / 28 bar
Connection Suction Line	54 mm - 2-1/8"
Connection Discharge Line	42 mm - 1-5/8"
Motor version	2
Motor Voltage	440-480V Y-3-60Hz
Max Operating Current	53.7 A
Max. Power Input	38.5 kW
Crankcase Heater	160 W PTC (Option)
Oil Type	E 55
Refrigerant	R404A

