

OPERATION CAPACITY



Qc (kw): 44.0

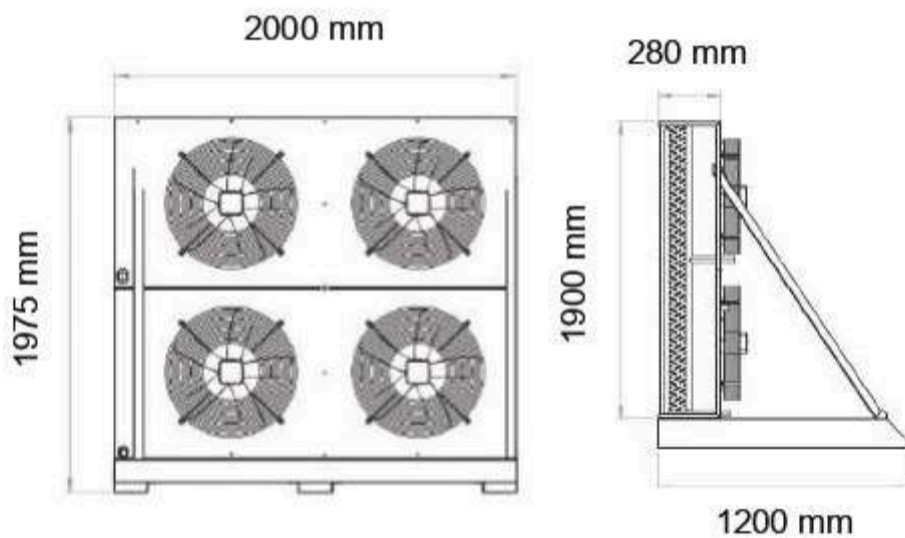
Pi (kw): 20.9

Unit Model	(Tc)	Cooling Power	(Te) Evaporating Temperature °C					
			+5	0	-5	-10	-15	-20
KAL077S6-HGX56e/850-4S	30	Q	102000	85600	71300	58800	47900	38600
		P	16.8	17	16.7	16.1	15.2	14.1
	35	Q	94800	79400	66000	54300	44200	35500
		P	19.1	18.9	18.3	17.3	16.1	14.7
	40	Q	87400	73100	60600	49800	40400	32400
		P	21.2	20.6	19.6	18.4	16.9	15.3
	45	Q	80000	66700	55200	45200	36600	29200
		P	23.1	22.1	20.8	19.3	17.6	15.7
	50	Q	72600	60300	49700	40500	32700	26000
		P	24.9	23.5	21.9	20.1	18.2	16.2
	55	Q	65000	53800	44100	35800	28800	22800
		P	26.5	24.8	22.9	20.9	18.8	16.6

Qc: Cooling Capacity at Te = -8 °C and Tc = +50 °C

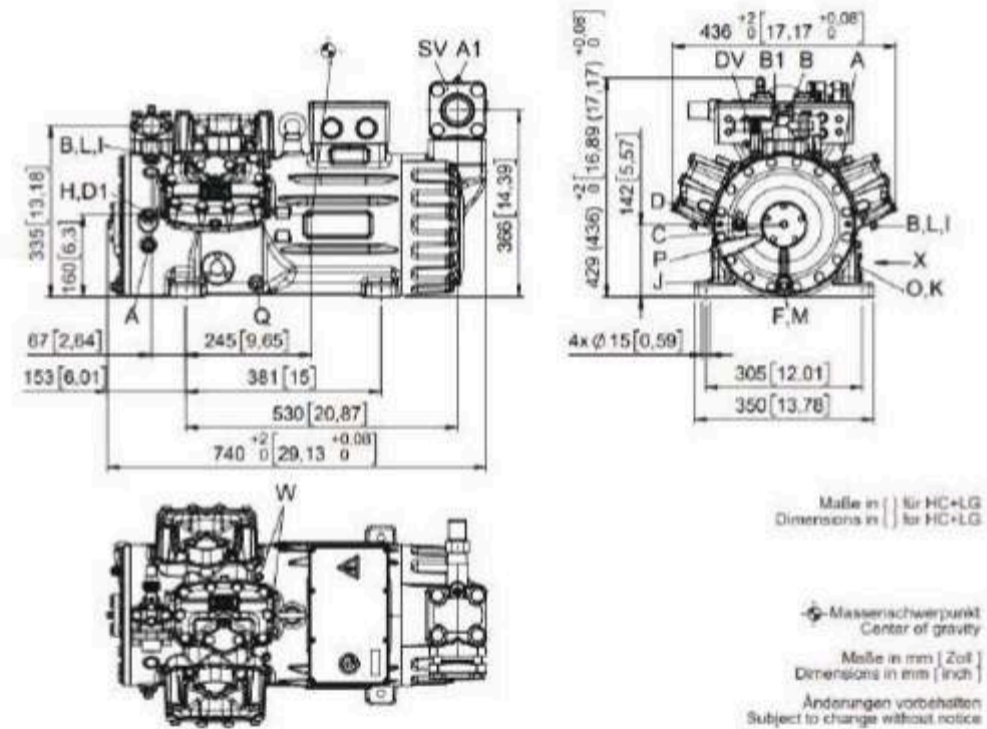
Pi: Power Input at Te = -8 °C and Tc = +50 °C

Model No. : KAL-077S6-HGX56e/850-4S



Condenser Specification

Condenser Model	KC 077
Fan	
Qty.	4
Diameter (mm)	630
Air Flow (m3/h)	49600
Electrical	
supply	440-480V/3Ph/60Hz
Power Input (Watt)	650 x 4
Condenser Coil	
Internal Volume (l)	34.9
Heat Transfer Area (m2)	202.0
Headers	
Inlet (Inch)	1-5/8"
Outlet (Inch)	1-3/8"



Compressor Specification

Unit Model	KAL-077S6-HGX56e/850-4S
Technical Data	
Condensing Unit Net Weight	523.0 kg
Displacement (1750 RPM 60Hz)	88.6 m3/hr
Max. Pressure (LP/HP)	19 / 28 bar
Connection Suction Line	54 mm - 2-1/8"
Connection Discharge Line	35 mm - 1-3/8"
Motor version	1
Motor Voltage	440-480V Y-3-60Hz
Max Operating Current	39.4 A
Max. Power Input	28.4 kW
Crankcase Heater	160 W PTC (Option)
Oil Type	
Refrigerant	R404A

OPERATION CAPACITY



Qc (kw): 44.6

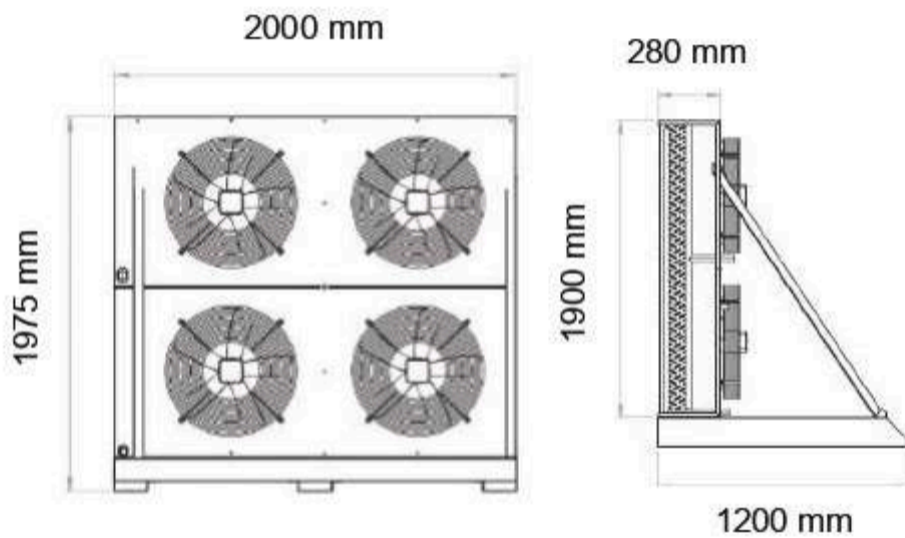
Pi (kw): 15.5

Unit Model	(Tc)	Cooling Power	(Te) Evaporating Temperature °C					
			+10	+5	0	-5	-10	-15
KAL077S6-HGX56e/850-4S	35	Q	72900	60200	49000	39400	31100	24100
		P	12	11.7	11.2	10.5	9.8	8.8
	40	Q	68300	56300	45800	36700	29000	22400
		P	13.3	12.8	12.1	11.2	10.2	9.15
	45	Q	63700	52400	42500	34100	26800	20600
		P	14.5	13.8	12.9	11.8	10.7	9.44
	50	Q	59000	48500	39300	31400	24600	18900
		P	15.6	14.7	13.6	12.4	11	9.67
	55	Q	54400	44600	36100	28700	22500	17100
		P	16.6	15.5	14.2	12.8	11.3	9.82
	60	Q	49800	40700	32800	26100	20300	15400
		P	17.6	16.3	14.8	13.2	11.6	9.91

Qc: Cooling Capacity at Te = +5 °C and Tc = +55 °C

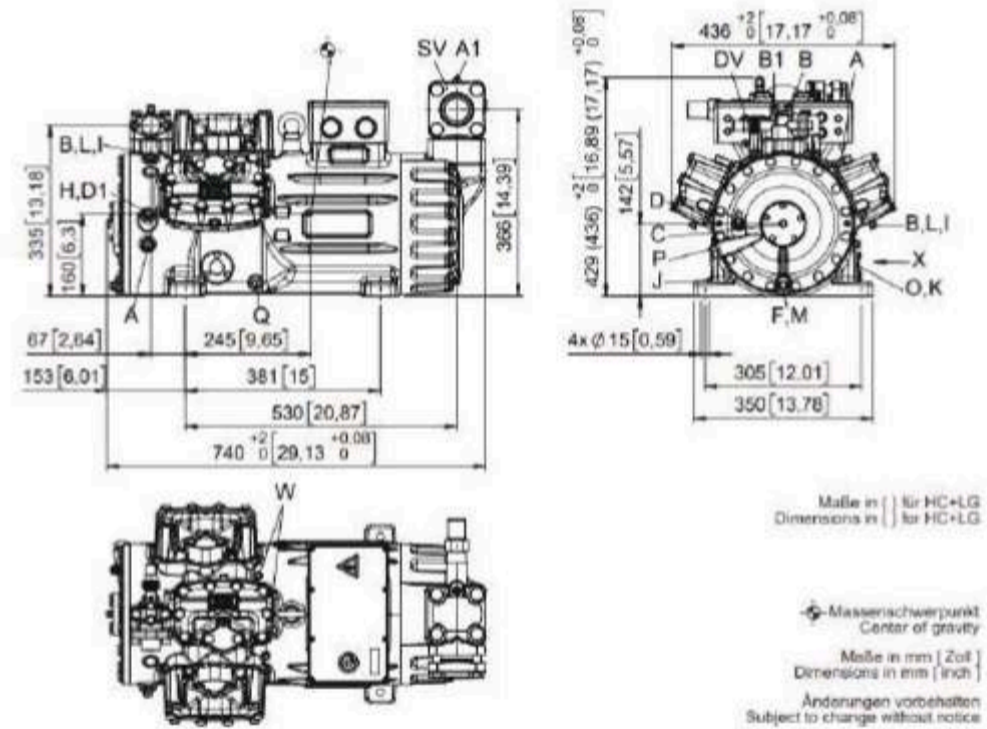
Pi: Power Input at Te = +5 °C and Tc = +55 °C

Model No. : KAL-077S6-HGX56e/850-4S



Condenser Specification

Condenser Model	KC 077
Fan	
Qty.	4
Diameter (mm)	630
Air Flow (m3/h)	49600
Electrical	
supply	440-480V/3Ph/60Hz
Power Input (Watt)	650 x 4
Condenser Coil	
Internal Volume (l)	34.9
Heat Transfer Area (m2)	202.0
Headers	
Inlet (Inch)	1-5/8"
Outlet (Inch)	1-3/8"



Compressor Specification

Unit Model	KAL-077S6-HGX56e/850-4S
Technical Data	
Condensing Unit Net Weight	523.0 kg
Displacement (1750 RPM 60Hz)	88.6 m3/hr
Max. Pressure (LP/HP)	19 / 28 bar
Connection Suction Line	54 mm - 2-1/8"
Connection Discharge Line	35 mm - 1-3/8"
Motor version	1
Motor Voltage	440-480V Y-3-60Hz
Max Operating Current	39.4 A
Max. Power Input	28.4 kW
Crankcase Heater	160 W PTC (Option)
Oil Type	E 55
Refrigerant	R134A