

Kaltru



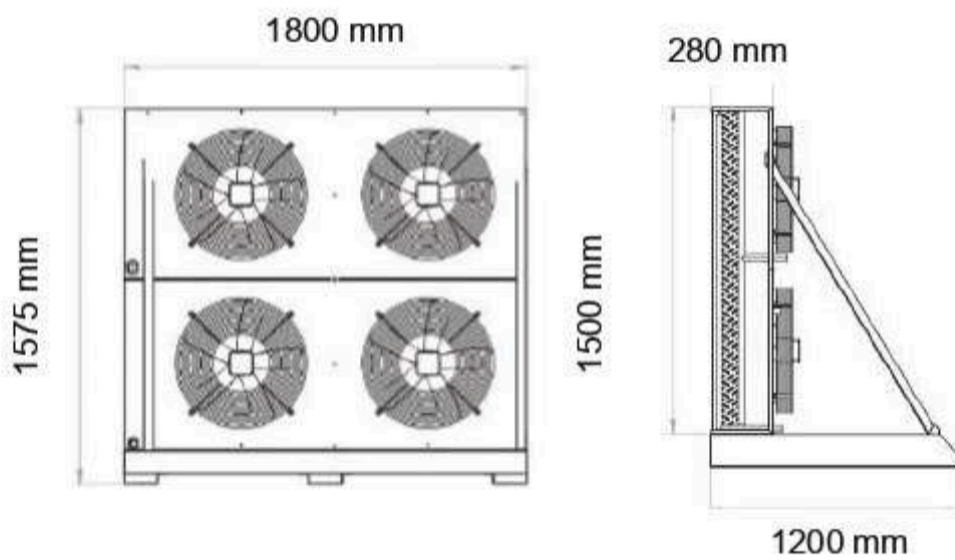
Qc (Kw): 22.6

Pi (Kw): 16.1

Qc: Cooling Capacity at Te = -25 °C and Tc = +50 °C

Pi: Power Input at Te = -25 °C and Tc = +50 °C

Model No. : KAL-064S6-HGX56e/995-4

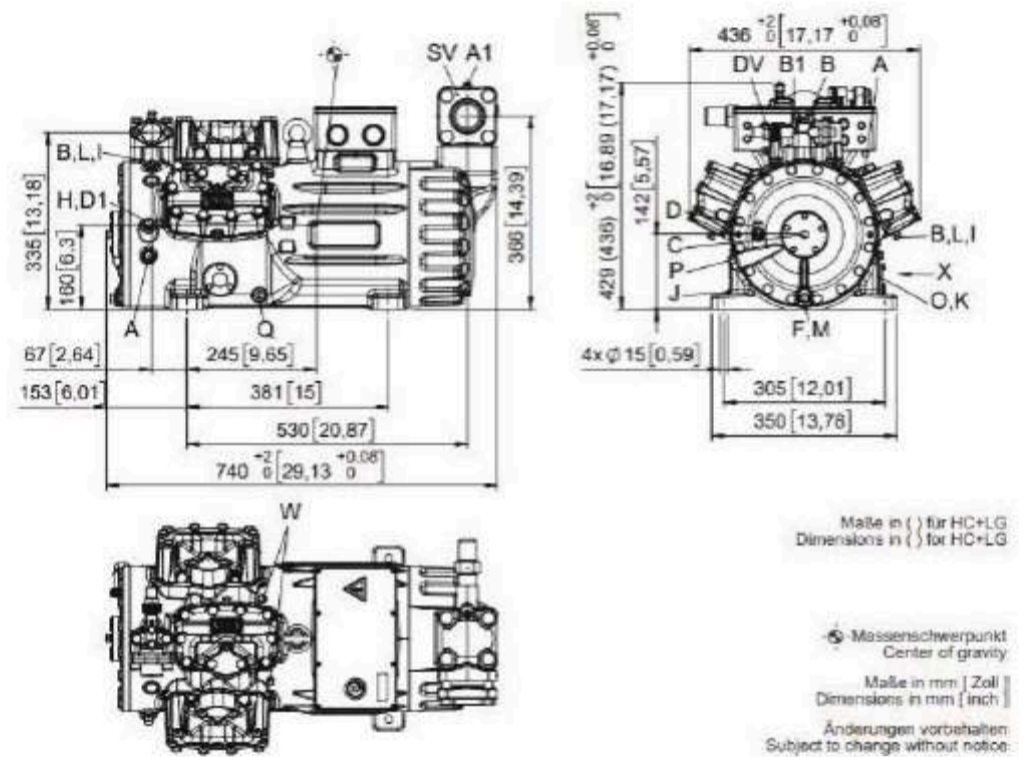


Condenser Specification

Condenser Model	KC 064
Fan	
Qty.	4
Diameter (mm)	500
Air Flow (m3/h)	31200
Electrical	
supply	440-480V/3Ph/60Hz
Power Input (Watt)	500 x 4
Condenser Coil	
Internal Volume (l)	31.4
Heat Transfer Area (m2)	190.2
Headers	
Inlet (Inch)	1-3/8"
Outlet (Inch)	1-1/8"

OPERATION CAPACITY

Unit Model	(Tc)	Cooling Power	(Te) Evaporating Temperature °C						
			-5	-10	-15	-20	-25	-30	-35
KAL064S6-HGX56e/995-4	30	Q	83900	69100	56200	45000	35300	27100	20200
		P	20.2	19	17.7	16.2	14.6	12.9	11.1
	35	Q	77400	63600	51600	41100	32200	24500	18100
		P	21.7	20.2	18.7	17	15.1	13.2	11.1
	40	Q	70900	58100	46900	37300	29000	21900	15900
		P	23.1	21.5	19.6	17.7	15.6	13.4	11.1
	45	Q	64200	52500	42200	33400	25800	19300	13800
		P	24.5	22.6	20.5	18.3	16	13.5	10.9
	50	Q	57600	46800	37500	29500	22600	16700	11700
		P	25.8	23.6	21.2	18.7	16.1	13.4	10.5
	55	Q	50800	41100	32800	25600	19400	14100	9510
		P	26.9	24.4	21.7	18.9	16	13	9.87



Compressor Specification

Unit Model	KAL-064S6-HGX56e/995-4
Technical Data	
Condensing Unit Net Weight	471.0 kg
Displacement (1750 RPM 60Hz)	103.9 m3/hr
Max. Pressure (LP/HP)	19 / 28 bar
Connection Suction Line	54 mm - 2-1/8"
Connection Discharge Line	35 mm - 1-3/8"
Motor version	2
Motor Voltage	440-480V Y-3-60Hz
Max Operating Current	38.9 A
Max. Power Input	28.0 kW
Crankcase Heater	160 W PTC (Option)
Oil Type	E 55
Refrigerant	R404A