

OPERATION CAPACITY

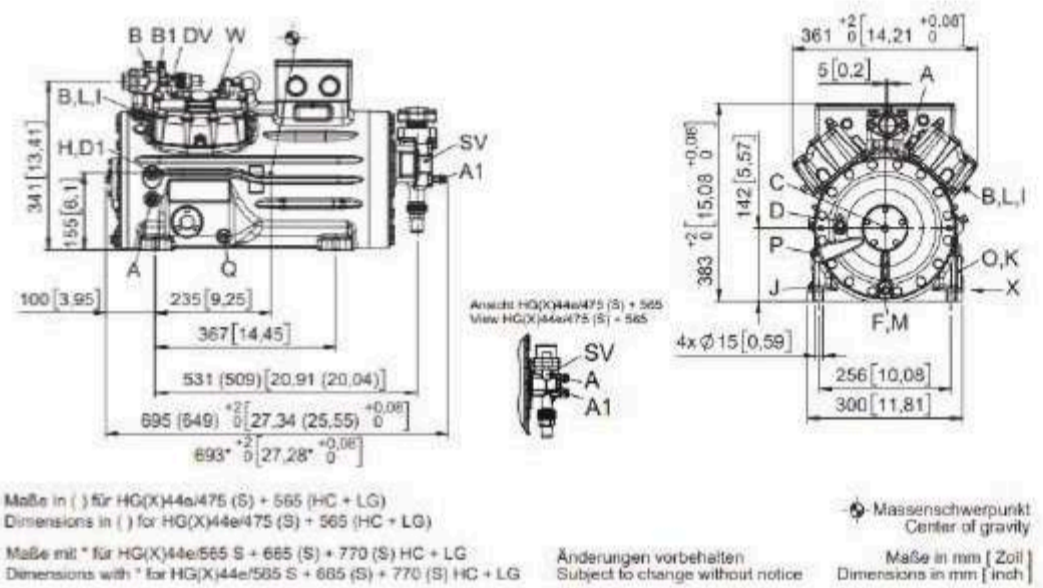
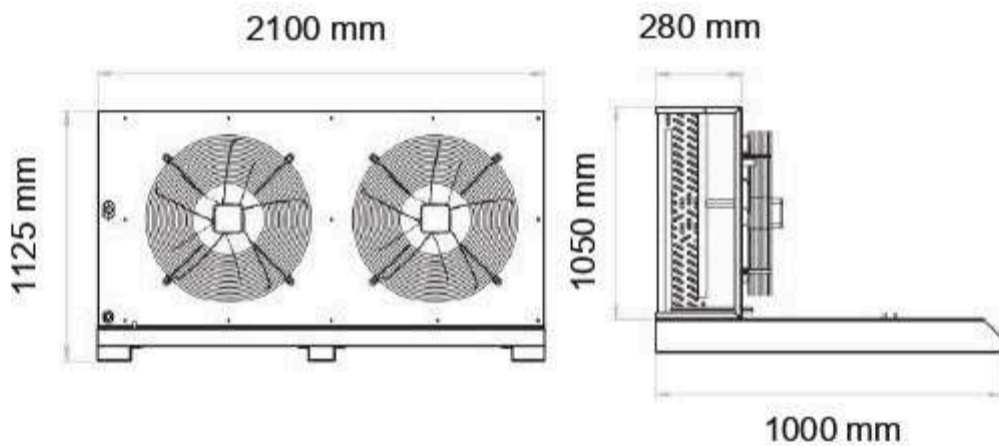


Unit Model	(Tc)	Cooling Power	(Te) Evaporating Temperature °C					
			+10	+5	0	-5	-10	-15
KAL055S6-HGX44e/565-4S	35	Q	47700	39400	32100	25900	20600	16100
		P	7.73	7.59	7.31	6.91	6.41	5.84
	40	Q	44800	36900	30100	24200	19200	14900
		P	8.53	8.27	7.88	7.37	6.77	6.11
	45	Q	41800	34400	28000	22500	17800	13800
		P	9.31	8.93	8.41	7.79	7.1	6.35
	50	Q	38900	31900	25900	20800	16400	12600
		P	10	9.54	8.91	8.18	7.38	6.54
	55	Q	35900	29500	23900	19100	15000	11500
		P	10.7	10.1	9.35	8.51	7.61	6.67
	60	Q	33000	27000	21800	17400	13600	10300
		P	11.3	10.6	9.73	8.77	7.76	6.73

Qc: Cooling Capacity at Te = +5 °C and Tc = +55 °C

Pi: Power Input at Te = +5 °C and Tc = +55 °C

Model No. : **KAL-055S6-HGX44e/565-4S**



Maße in () für HG(X)44e/475 (S) + 565 (HC + LG)
 Dimensions in () for HG(X)44e/475 (S) + 565 (HC + LG)
 Maße mit * für HG(X)44e/565 S + 665 (S) + 770 (S) HC + LG
 Dimensions with * for HG(X)44e/565 S + 665 (S) + 770 (S) HC + LG
 Änderungen vorbehalten
 Subject to change without notice
 Ⓞ Massenschwerpunkt
 Center of gravity
 Maße in mm [Zoll]
 Dimensions in mm [inch]

Condenser Specification

Condenser Model	KC 055
Fan	
Qty.	2
Diameter (mm)	630
Air Flow (m3/h)	28200
Electrical	
supply	440-480V/3Ph/60Hz
Power Input (Watt)	900 x 2
Condenser Coil	
Internal Volume (l)	25.6
Heat Transfer Area (m2)	156.6
Headers	
Inlet (Inch)	1-3/8"
Outlet (Inch)	1-1/8"

Compressor Specification

Unit Model	KAL-055S6-HGX44e/565-4S
Technical Data	
Condensing Unit Net Weight	393.0 kg
Displacement (1750 RPM 60Hz)	59.0 m3/hr
Max. Pressure (LP/HP)	19 / 28 bar
Connection Suction Line	42 mm - 1-5/8"
Connection Discharge Line	28 mm - 1-1/8"
Motor version	1
Motor Voltage	440-480V Y-3-60Hz
Max Operating Current	26.0 A
Max. Power Input	18.8 kW
Crankcase Heater	160 W PTC (Option)
Oil Type	E 55
Refrigerant	R134A