

## OPERATION CAPACITY

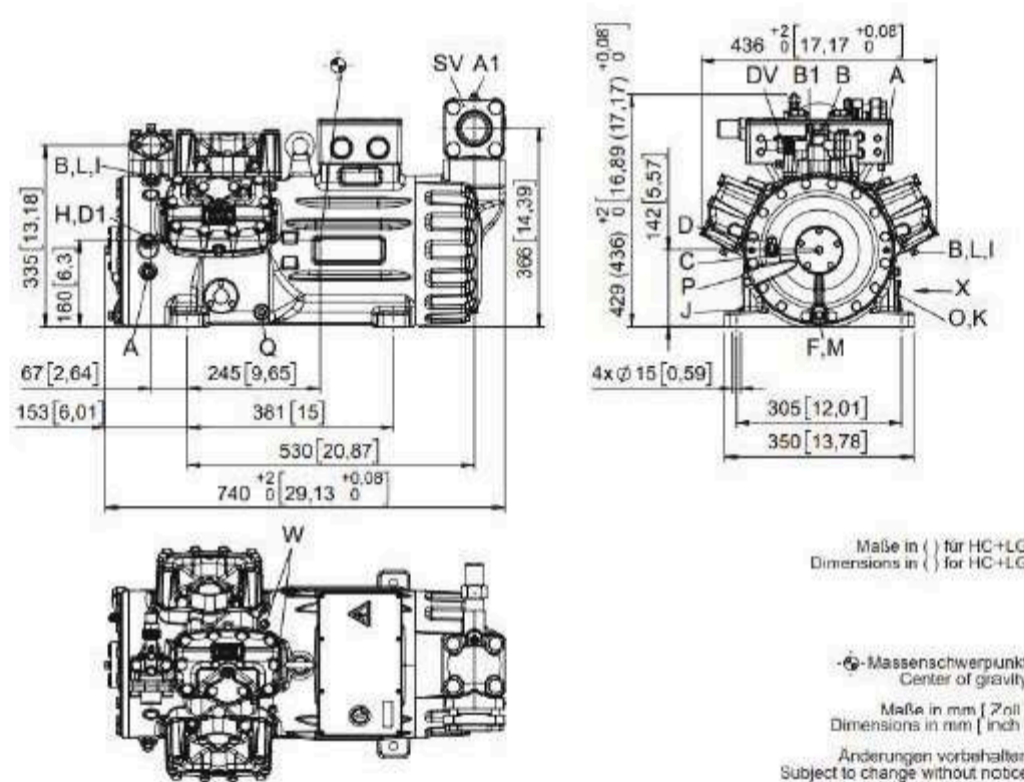
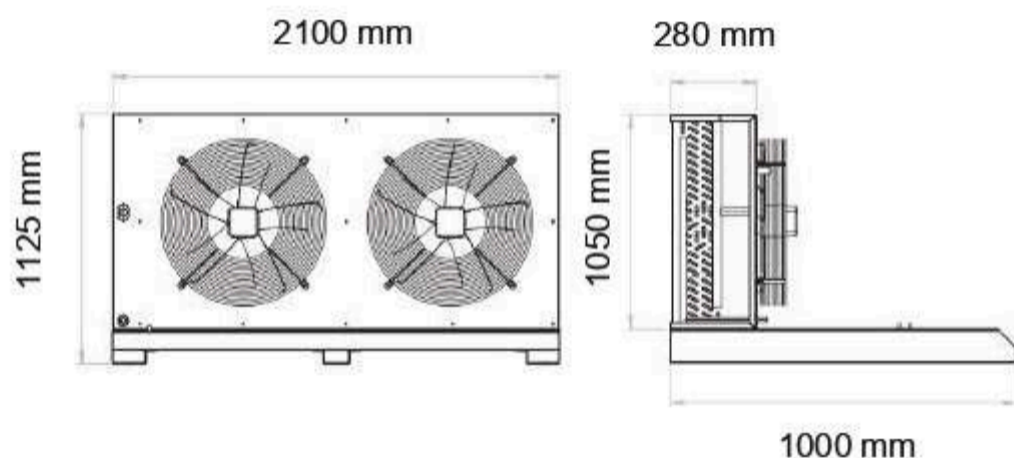


Unit Model	(Tc)	Cooling Power	(Te) Evaporating Temperature °C						
			-5	-10	-15	-20	-25	-30	-35
KAL055S6-HGX56e/850-4	30	Q	70800	58400	47700	38400	30600	23800	18200
		P	16.8	16.2	15.3	14.1	12.7	11.3	9.75
	35	Q	65400	53900	43900	35300	28000	21700	16400
		P	18.3	17.4	16.2	14.7	13.2	11.5	9.87
	40	Q	60000	49300	40100	32200	25400	19600	14700
		P	19.7	18.4	16.9	15.3	13.5	11.7	9.97
	45	Q	54500	44700	36200	29000	22800	17500	12900
		P	20.9	19.4	17.6	15.8	13.8	11.9	10
	50	Q	49000	40000	32400	25800	20200	15400	11200
		P	22	20.2	18.3	16.2	14.1	12.1	10.2
	55	Q	43400	35300	28400	22600	17600	13300	9430
		P	23.1	21	18.8	16.6	14.5	12.4	10.4

Qc: Cooling Capacity at Te = -25 °C and Tc = +50 °C

Pi: Power Input at Te = -25 °C and Tc = +50 °C

Model No. : **KAL-055S6-HGX56e/850-4**



Maße in ( ) für HC+LG  
Dimensions in ( ) for HC+LG

⊙ Massenschwerpunkt  
Center of gravity

Maße in mm [ Zoll ]  
Dimensions in mm [ inch ]

Änderungen vorbehalten  
Subject to change without notice

## Condenser Specification

<b>Condenser Model</b>	KC 055
<b>Fan</b>	
Qty.	2
Diameter (mm)	630
Air Flow (m3/h)	28200
<b>Electrical</b>	
supply	440-480V/3Ph/60Hz
Power Input (Watt)	900 x 2
<b>Condenser Coil</b>	
Internal Volume (L)	25.6
Heat Transfer Area (m2)	156.6
<b>Headers</b>	
Inlet (Inch)	1-3/8"
Outlet (Inch)	1-1/8"

## Compressor Specification

<b>Unit Model</b>	<b>KAL-055S6-HGX56e/850-4</b>
<b>Technical Data</b>	
Condensing Unit Net Weight	423.0 kg
Displacement (1750 RPM 60Hz)	88.6 m3/hr
Max. Pressure (LP/HP)	19 / 28 bar
Connection Suction Line	54 mm - 2-1/8"
Connection Discharge Line	35 mm - 1-3/8"
Motor version	2
Motor Voltage	440-480V Y-3-60Hz
Max Operating Current	32.6 A
Max. Power Input	23.8 kW
Crankcase Heater	160 W PTC (Option)
<b>Oil Type</b>	E 55
Refrigerant	R404A

