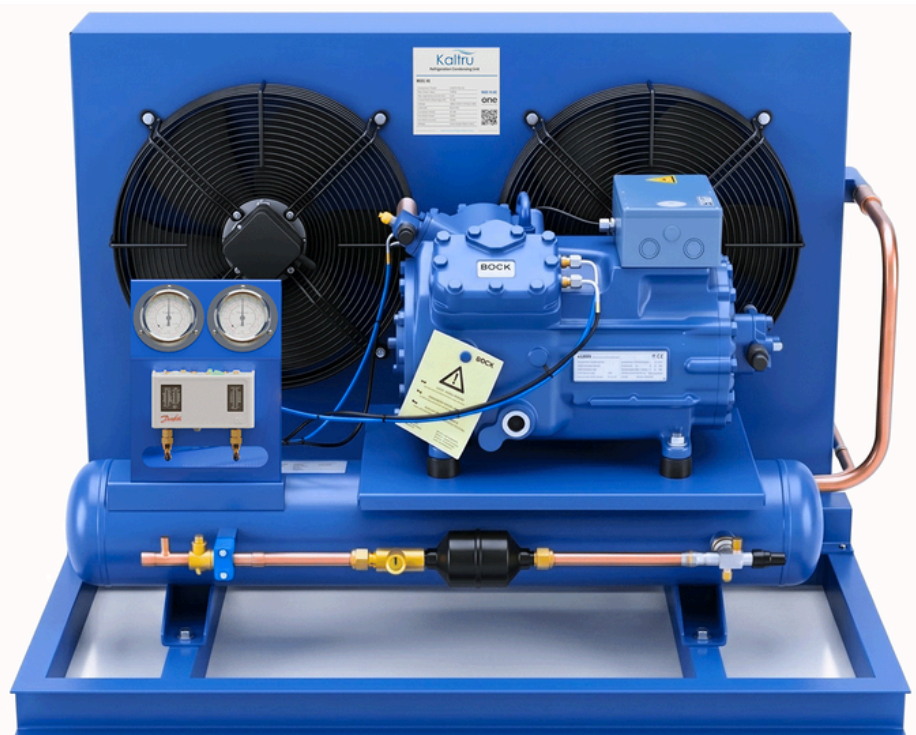


OPERATION CAPACITY

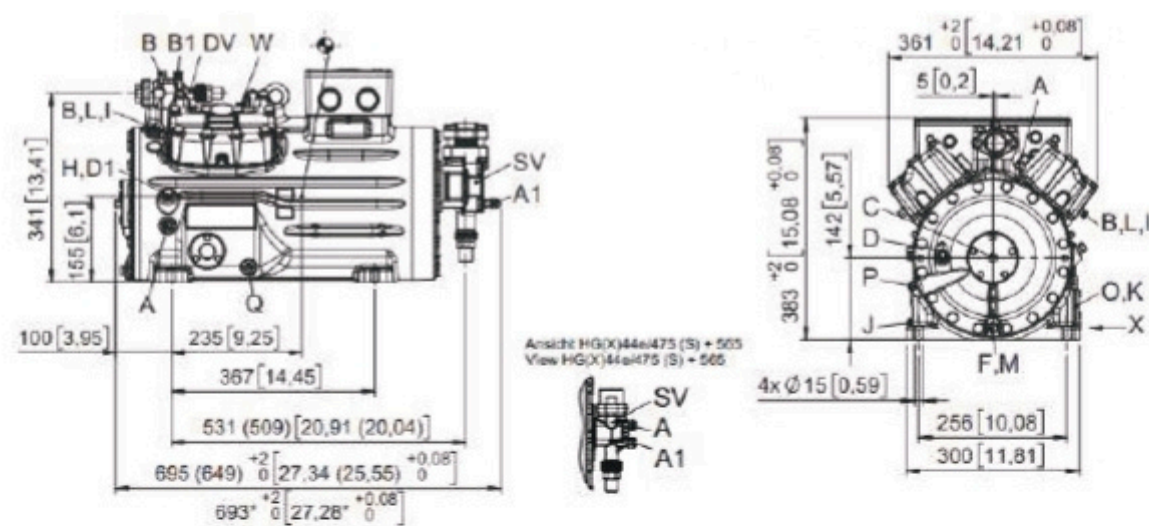
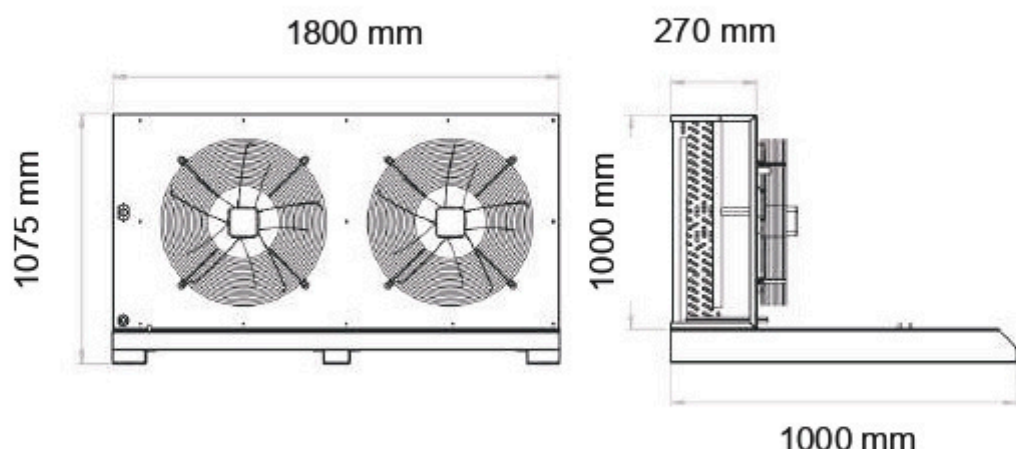


Unit Model	Tc	Cooling Power	(Te) Evaporating Temperature °C						
			-5	-10	-15	-20	-25	-30	-35
KAL045S6-HGX44e/770-4	30	Q	64300	53000	43200	34800	27600	21500	16300
		P	15.2	14.6	13.8	12.8	11.6	10.2	8.86
	35	Q	59500	48900	39800	32000	25300	19600	14700
		P	16.6	15.7	14.6	13.4	11.9	10.4	8.97
	40	Q	54600	44800	36300	29100	22900	17600	13100
		P	17.8	16.7	15.4	13.9	12.3	10.6	9.06
	45	Q	49600	40600	32800	26200	20500	15700	11500
		P	19	17.5	16	14.3	12.6	10.8	9.16
	50	Q	44600	36300	29300	23300	18100	13700	9900
		P	20	18.3	16.5	14.7	12.8	11	9.29
	55	Q	39500	32100	25700	20300	15700	11800	8320
		P	20.9	19	17.1	15.1	13.1	11.2	9.48

Qc: Cooling Capacity at Te = -25 °C and Tc = +50 °C

Pi: Power Input at Te = -25 °C and Tc = +50 °C

Model No. : KAL-045S6-HGX44e/770-4



Maße in () für HG(X)44e/475 (S) + 565 (HC + LG)
 Dimensions in () for HG(X)44e/475 (S) + 565 (HC + LG)
 Maße mit * für HG(X)44e/565 S + 665 (S) + 770 (S) HC + LG
 Dimensions with * for HG(X)44e/565 S + 665 (S) + 770 (S) HC + LG

Änderungen vorbehalten
 Subject to change without notice

Massenschwerpunkt
 Center of gravity
 Maße in mm [Zoll]
 Dimensions in mm [inch]

Condenser Specification

Condenser Model	KC 045
Fan	
Qty.	2
Diameter (mm)	630
Air Flow (m3/h)	28200
Electrical	
supply	440-480V/3Ph/60Hz
Power Input (Watt)	900 x 2
Condenser Coil	
Internal Volume (L)	20.8
Heat Transfer Area (m2)	126.8
Headers	
Inlet (Inch)	1-3/8"
Outlet (Inch)	7/8"

Compressor Specification

Unit Model	KAL-045S6-HGX44e/770-4
Technical Data	
Condensing Unit Net Weight	371.0 kg
Displacement (1750 RPM 60Hz)	80.4 m3/hr
Max. Pressure (LP/HP)	19 / 28 bar
Connection Suction Line	42 mm - 1-5/8"
Connection Discharge Line	28 mm - 1-1/8"
Motor version	2
Motor Voltage	440-480V Y-3-60Hz
Max Operating Current	30.0 A
Max. Power Input	21.5 kW
Crankcase Heater	160 W PTC (Option)
Oil Type	E 55
Refrigerant	R404A

