

## OPERATION CAPACITY

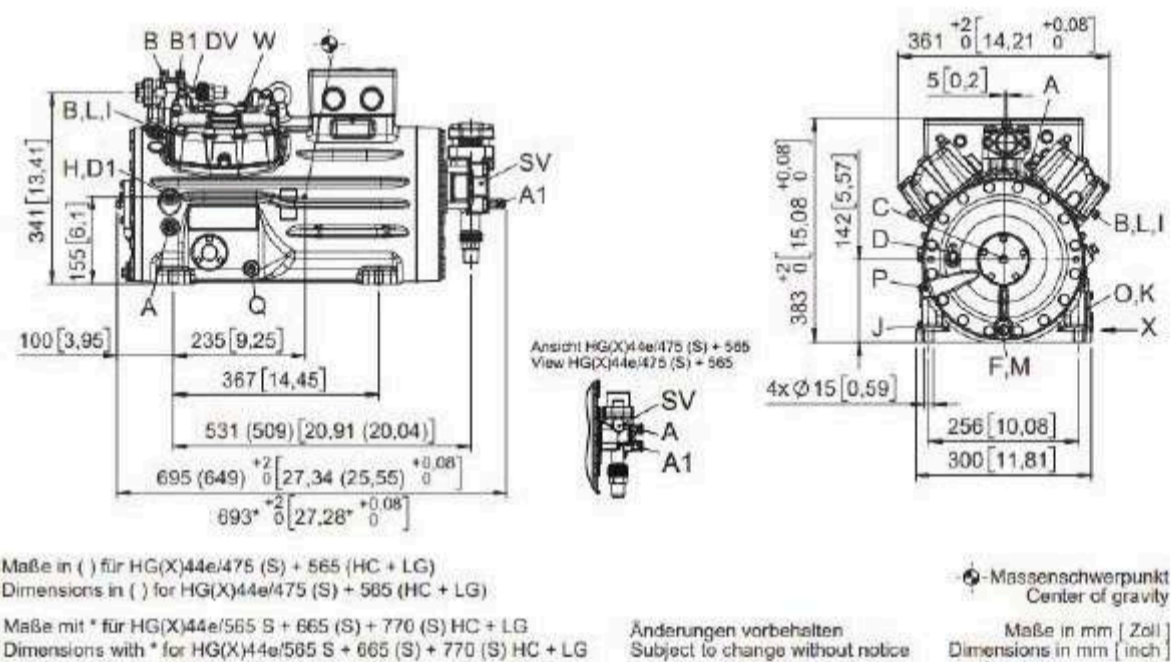
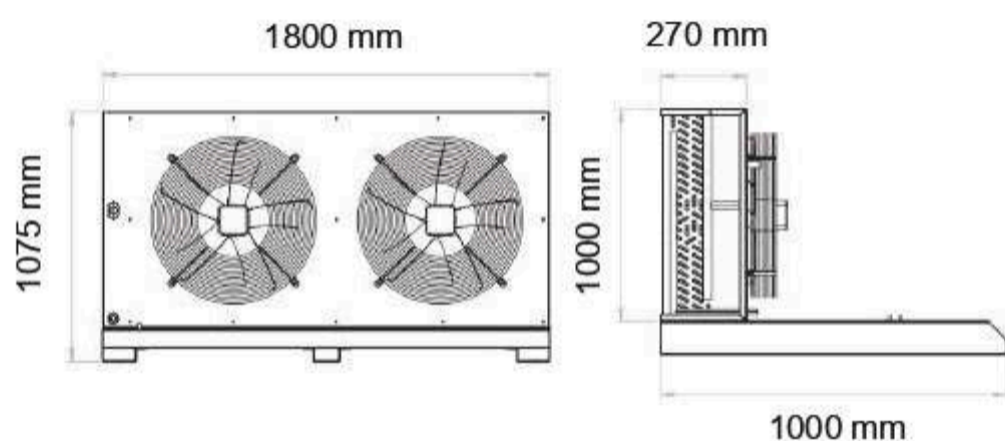


Unit Model	(Tc)	Cooling Power	(Te) Evaporating Temperature °C						
			-5	-10	-15	-20	-25	-30	-35
KAL045S6-HGX44e/665-4	30	Q	55100	45300	36900	29600	23400	18200	13700
		P	13.1	12.7	11.9	11	10	8.87	7.66
	35	Q	50900	41800	33900	27100	21400	16500	12300
		P	14.3	13.6	12.7	11.5	10.3	9.07	7.75
	40	Q	46600	38100	30800	24600	19300	14800	10900
		P	15.4	14.4	13.3	12	10.6	9.24	7.83
	45	Q	42200	34500	27800	22100	17200	13100	9470
		P	16.4	15.2	13.8	12.4	10.8	9.38	7.92
	50	Q	37900	30800	24700	19500	15100	11400	8100
		P	17.3	15.8	14.3	12.7	11.1	9.54	8.03
	55	Q	33500	27100	21600	17000	13100	9650	6740
		P	18.1	16.5	14.8	13	11.3	9.73	8.2

Qc: Cooling Capacity at Te = -25 °C and Tc = +50 °C

Pi: Power Input at Te = -25 °C and Tc = +50 °C

Model No. : **KAL-045S6-HGX44e/665-4**



## Condenser Specification

<b>Condenser Model</b>	KC 045
<b>Fan</b>	
Qty.	2
Diameter (mm)	630
Air Flow (m <sup>3</sup> /h)	28200
<b>Electrical</b>	
supply	440-480V/3Ph/60Hz
Power Input (Watt)	900 x 2
<b>Condenser Coil</b>	
Internal Volume (L)	20.8
Heat Transfer Area (m <sup>2</sup> )	126.8
<b>Headers</b>	
Inlet (Inch)	1-3/8"
Outlet (Inch)	7/8"

## Compressor Specification

<b>Unit Model</b>	<b>KAL-45S6-HGX44e/665-4</b>
<b>Technical Data</b>	
Condensing Unit Net Weight	374.0 kg
Displacement (1750 RPM 60Hz)	69.3 m <sup>3</sup> /hr
Max. Pressure (LP/HP)	19 / 28 bar
Connection Suction Line	42 mm - 1-5/8"
Connection Discharge Line	28 mm - 1-1/8"
Motor version	2
Motor Voltage	440-480V Y-3-60Hz
Max Operating Current	26.0 A
Max. Power Input	18.6 kW
Crankcase Heater	160 W PTC (Option)
<b>Oil Type</b>	E 55
Refrigerant	R404A

