

## OPERATION CAPACITY

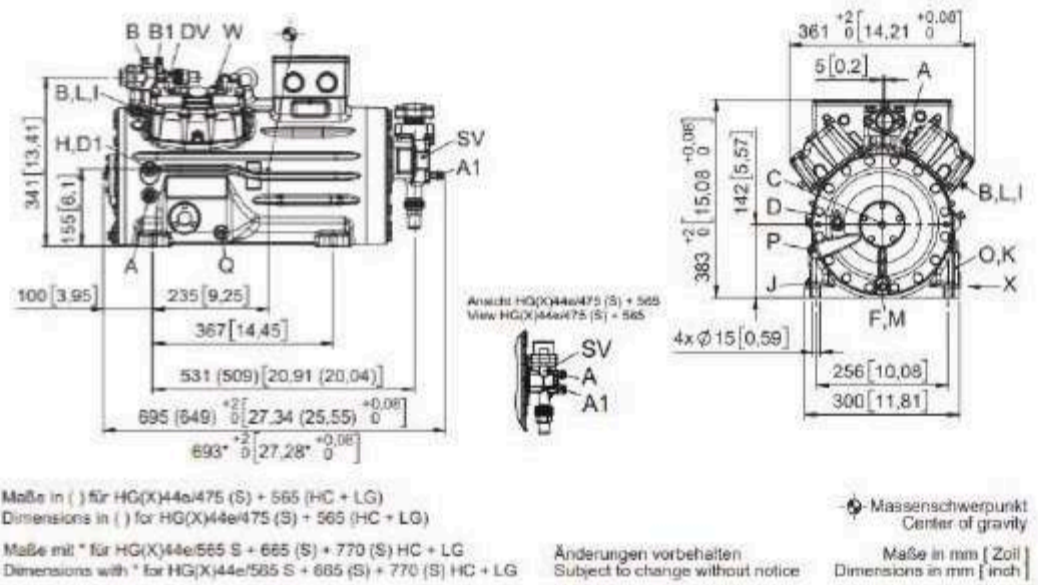
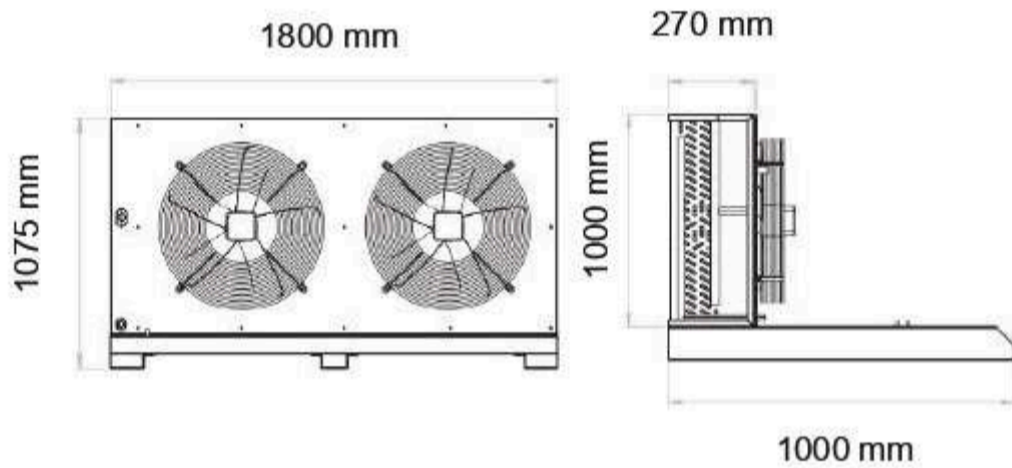


Unit Model	(Tc)	Cooling Power	(Te) Evaporating Temperature °C					
			+5	0	-5	-10	-15	-20
KAL045S6-HGX44e/475-4S	30	Q	57200	48000	39900	32800	26700	21500
		P	9.47	9.58	9.45	9.12	8.62	7.99
	35	Q	53200	44500	36900	30300	24600	19700
		P	10.7	10.6	10.3	9.79	9.12	8.34
	40	Q	49000	40900	33900	27700	22400	17900
		P	11.9	11.5	11	10.3	9.55	8.64
	45	Q	44900	37300	30800	25100	20300	16100
		P	12.9	12.4	11.7	10.8	9.92	8.9
	50	Q	40700	33700	27700	22500	18100	14300
		P	13.9	13.2	12.3	11.3	10.2	9.14
	55	Q	36400	30000	24500	19800	15800	12400
		P	14.8	13.9	12.8	11.7	10.5	9.38

Qc: Cooling Capacity at Te = -8 °C and Tc = +50 °C

Pi: Power Input at Te = -8 °C and Tc = +50 °C

Model No. : KAL-045S6-HGX44e/475-4S



Maße in ( ) für HG(X)44e/475 (S) + 565 (HC + LG)  
 Dimensions in ( ) for HG(X)44e/475 (S) + 565 (HC + LG)  
 Maße mit \* für HG(X)44e/565 S + 665 (S) + 770 (S) HC + LG  
 Dimensions with \* for HG(X)44e/565 S + 665 (S) + 770 (S) HC + LG  
 Änderungen vorbehalten  
 Subject to change without notice  
 ⦿ Massenschwerpunkt  
 Center of gravity  
 Maße in mm [Zoll]  
 Dimensions in mm [inch]

## Condenser Specification

<b>Condenser Model</b>	KC 045
<b>Fan</b>	
Qty.	2
Diameter (mm)	630
Air Flow (m3/h)	28200
<b>Electrical</b>	
supply	440-480V/3Ph/60Hz
Power Input (Watt)	900 x 2
<b>Condenser Coil</b>	
Internal Volume (L)	20.8
Heat Transfer Area (m2)	126.8
<b>Headers</b>	
Inlet (Inch)	1-3/8"
Outlet (Inch)	7/8"

## Compressor Specification

<b>Unit Model</b>	<b>KAL-045S6-HGX44e/475-4S</b>
<b>Technical Data</b>	
Condensing Unit Net Weight	362.0 kg
Displacement (1750 RPM 60Hz)	49.6 m3/hr
Max. Pressure (LP/HP)	19 / 28 bar
Connection Suction Line	35 mm - 1-3/8"
Connection Discharge Line	28 mm - 1-1/8"
Motor version	1
Motor Voltage	440-480V Y-3-60Hz
Max Operating Current	23.0 A
Max. Power Input	15.9 kW
Crankcase Heater	160 W PTC (Option)
<b>oil Type</b>	E 55
Refrigerant	R404A

## OPERATION CAPACITY

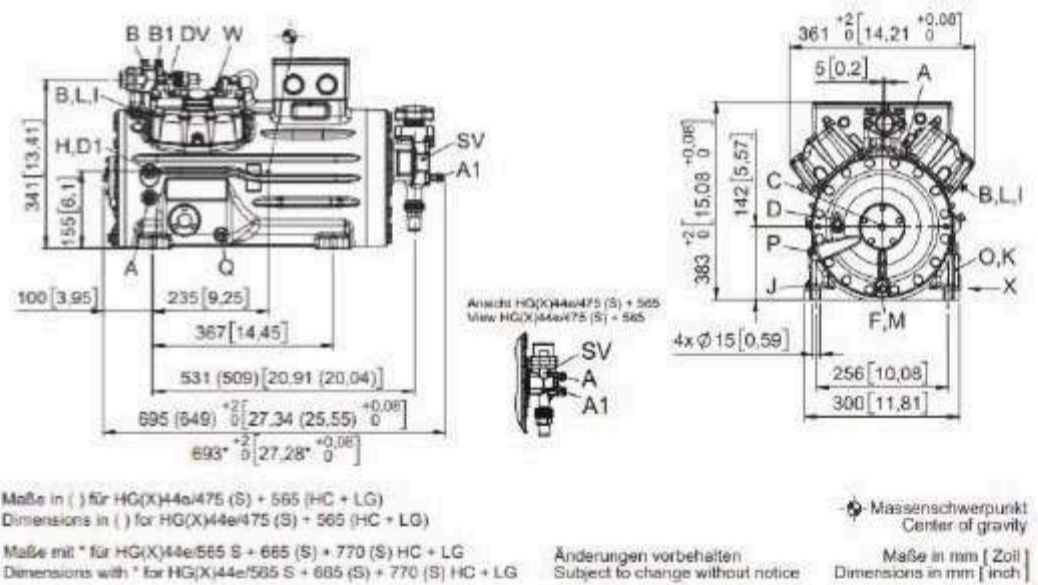
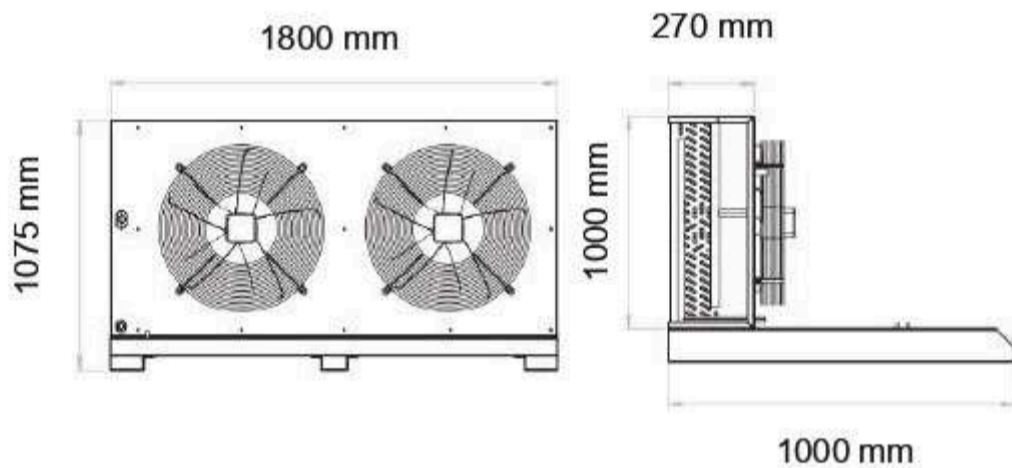


Unit Model	(Tc)	Cooling Power	(Te) Evaporating Temperature °C					
			+10	+5	0	-5	-10	-15
KAL045S6-HGX44e/475-4S	35	Q	40000	32900	26800	21600	17100	13300
		P	6.51	6.4	6.16	5.82	5.41	4.9
	40	Q	37400	30800	25100	20100	15900	12300
		P	7.19	6.97	6.64	6.21	5.71	5.16
	45	Q	34900	28700	23300	18700	14700	11300
		P	7.85	7.52	7.09	6.57	5.98	5.35
	50	Q	32400	26600	21500	17200	13500	10300
		P	8.47	8.04	7.51	6.89	6.22	5.51
	55	Q	29900	24500	19800	15700	12300	9320
		P	9.05	8.51	7.88	7.17	6.41	5.62
	60	Q	27400	22400	18000	14300	11100	8320
		P	9.58	8.93	8.19	7.39	6.54	5.67

Qc: Cooling Capacity at Te = +5 °C and Tc = +55 °C

Pi: Power Input at Te = +5 °C and Tc = +55 °C

Model No. : **KAL-045S6-HGX44e/475-4S**



Maße in ( ) für HG(X)44e/475 (S) + 565 (HC + LG)  
 Dimensions in ( ) for HG(X)44e/475 (S) + 565 (HC + LG)  
 Maße mit \* für HG(X)44e/565 S + 665 (S) + 770 (S) HC + LG  
 Dimensions with \* for HG(X)44e/565 S + 665 (S) + 770 (S) HC + LG  
 Änderungen vorbehalten  
 Subject to change without notice  
 \* Massenschwerpunkt  
 Center of gravity  
 Maße in mm [Zoll]  
 Dimensions in mm [inch]

## Condenser Specification

<b>Condenser Model</b>	KC 045
<b>Fan</b>	
Qty.	2
Diameter (mm)	630
Air Flow (m <sup>3</sup> /h)	28200
<b>Electrical</b>	
Supply	440-480V/3Ph/60Hz
Power Input (Watt)	900 x 2
<b>Condenser Coil</b>	
Internal Volume (L)	20.8
Heat Transfer Area (m <sup>2</sup> )	126.8
<b>Headers</b>	
Inlet (Inch)	1-3/8"
Outlet (Inch)	7/8"

## Compressor Specification

<b>Unit Model</b>	<b>KAL-045S6-HGX44e/475-4S</b>
<b>Technical Data</b>	
Condensing Unit Net Weight	362.0 kg
Displacement (1750 RPM 60Hz)	49.6 m <sup>3</sup> /hr
Max. Pressure (LP/HP)	19 / 28 bar
Connection Suction Line	35 mm - 1-3/8"
Connection Discharge Line	28 mm - 1-1/8"
Motor version	1
Motor Voltage	440-480V Y-3-60Hz
Max Operating Current	23.0 A
Max. Power Input	15.9 kW
Crankcase Heater	160 W PTC (Option)
<b>oil Type</b>	E 55
Refrigerant	R134A