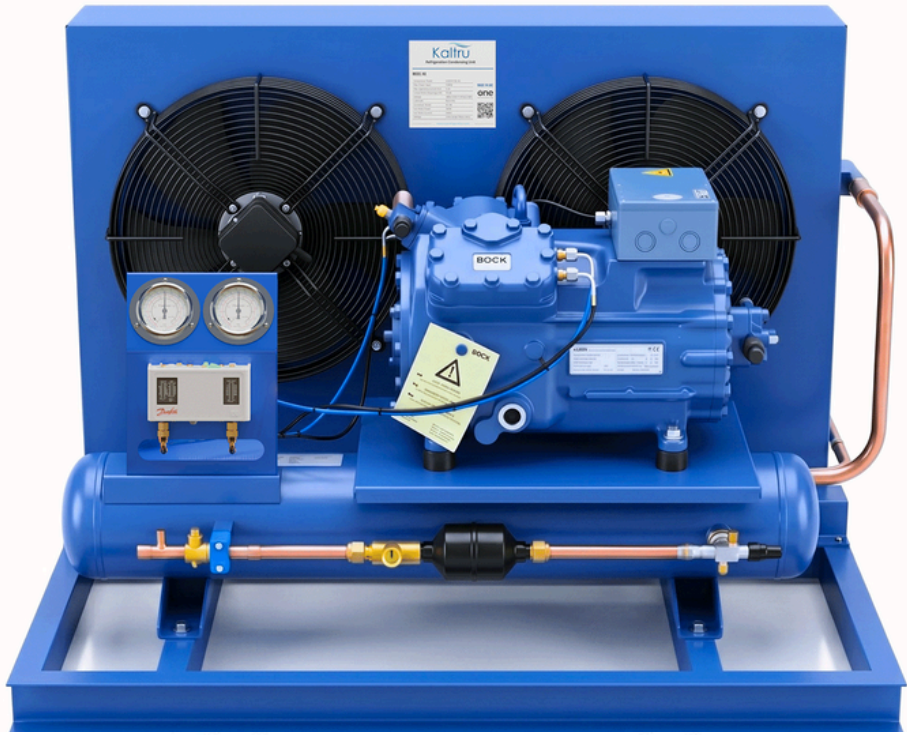


OPERATION CAPACITY

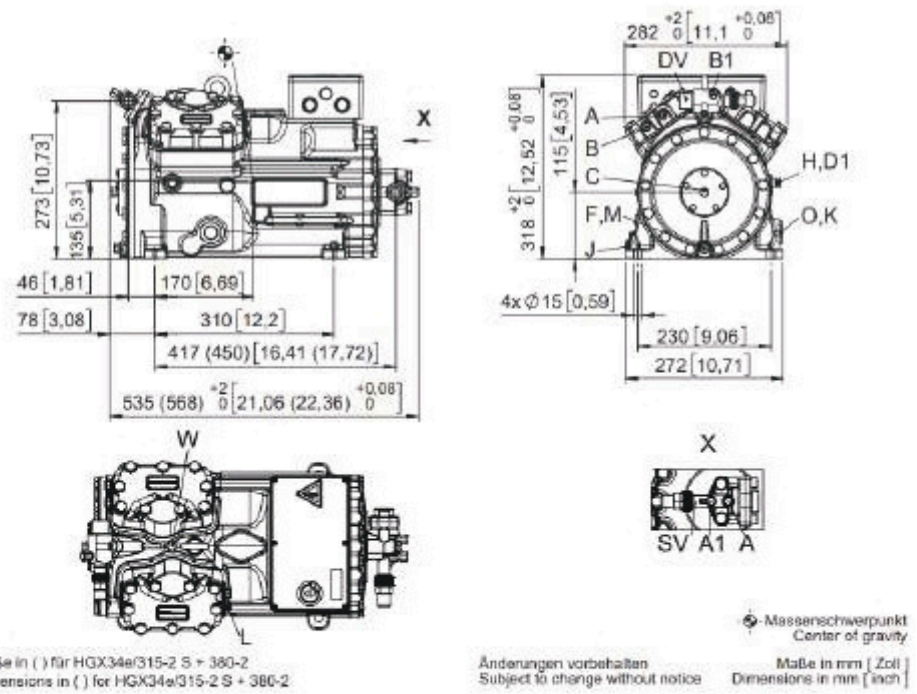
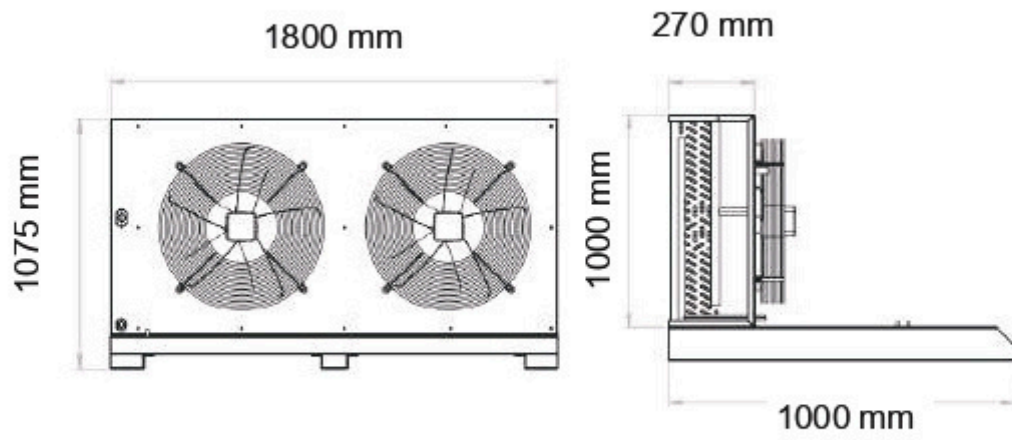


Unit Model	(Tc)	Cooling Power	[Te] Evaporating Temperature °C					
			+5	0	-5	-10	-15	-20
KAL035S6-HGX34e/380-4S	30	Q	44600	37500	31200	25700	20900	16700
		P	8.63	8.42	8.08	7.63	7.09	6.48
	35	Q	41100	34600	28800	23700	19200	15300
		P	9.51	9.16	8.69	8.12	7.48	6.76
	40	Q	37700	31600	26300	21600	17500	13900
		P	10.3	9.87	9.27	8.59	7.83	7.02
	45	Q	34300	28700	23800	19500	15800	12500
		P	11.1	10.5	9.81	9.01	8.14	7.23
	50	Q	30800	25800	21300	17400	14000	11100
		P	11.8	11.1	10.2	9.37	8.39	7.39
	55	Q	27400	22900	18800	15300	12300	9640
		P	12.5	11.6	10.6	9.65	8.58	7.48

Qc: Cooling Capacity at Te = -8 °C and Tc = +50 °C

Pi: Power Input at Te = -8 °C and Tc = +50 °C

Model No. : **KAL-035S6-HGX34e/380-4S**



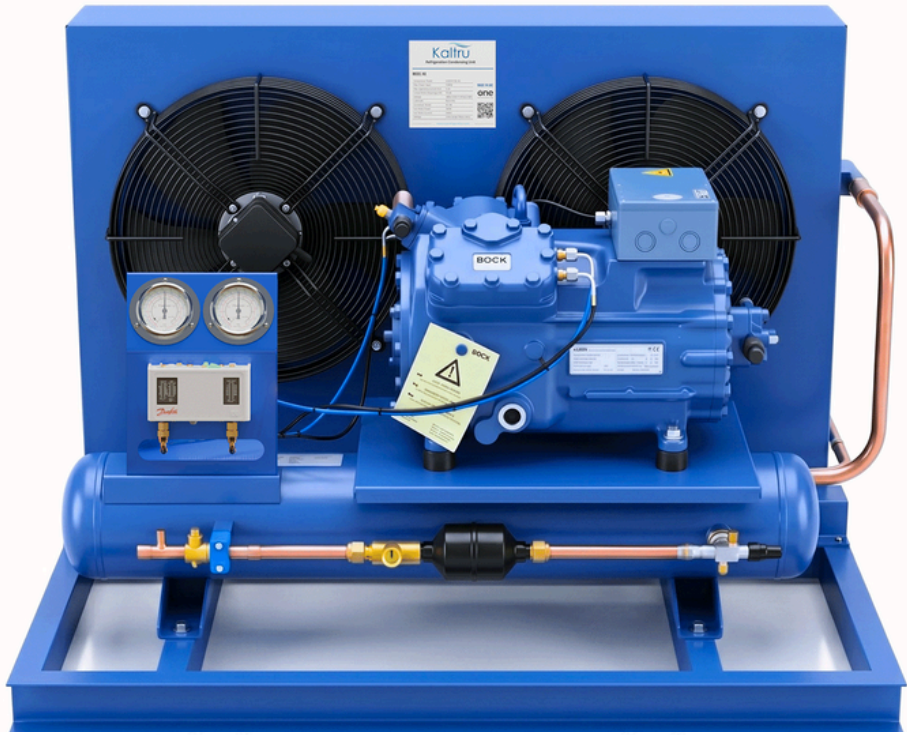
Condenser Specification

Condenser Model	KC 035
Fan	
Qty.	2
Diameter (mm)	630
Air Flow (m3/h)	24800
Electrical	
Supply	440-480V/3Ph/60Hz
Power Input (Watt)	650 x 2
Condenser Coil	
Internal Volume (L)	15.5
Heat Transfer Area (m2)	95.1
Headers	
Inlet (Inch)	1-1/8"
Outlet (Inch)	3/4"

Compressor Specification

Unit Model	KAL-035S6-HGX34e/380-4S
Technical Data	
Condensing Unit Net Weight	251.0 kg
Displacement (1750 RPM 60Hz)	39.7 m3/hr
Max. Pressure (LP/HP)	19 / 28 bar
Connection Suction Line	28 mm - 1-1/8"
Connection Discharge Line	22 mm - 7/8"
Motor version	1
Motor Voltage	440-480V Y-3-60Hz
Max Operating Current	18.0 A
Max. Power Input	13.4 kW
Crankcase Heater	120 W PTC (Option)
Oil Type	E 55
Refrigerant	R404A

OPERATION CAPACITY

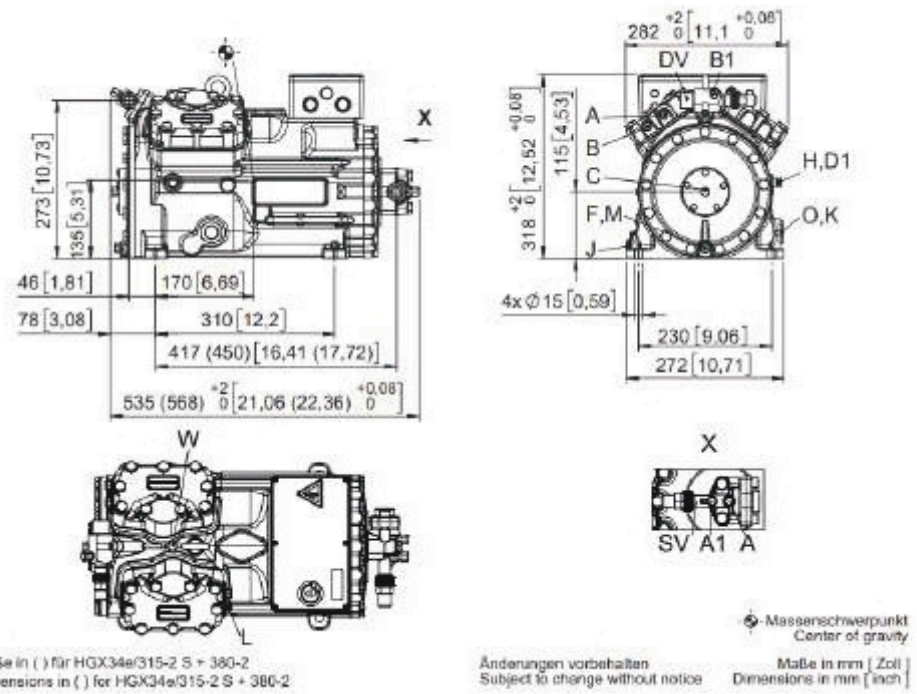
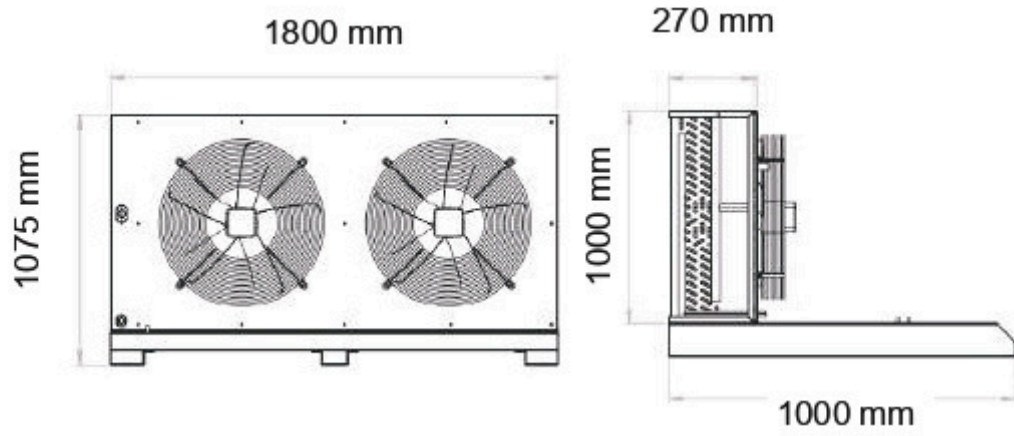


Unit Model	(Tc)	Cooling Power	(Te) Evaporating Temperature °C					
			+10	+5	0	-5	-10	-15
KAL035S6-HGX34e/380-4S	35	Q	31200	25800	21100	16900	13300	10300
		P	5.72	5.55	5.28	4.92	4.49	4.03
	40	Q	29200	24100	19600	15700	12400	9480
		P	6.25	5.99	5.63	5.19	4.7	4.17
	45	Q	27100	22400	18200	14500	11400	8700
		P	6.77	6.41	5.96	5.44	4.87	4.28
	50	Q	25100	20700	16800	13300	10400	7910
		P	7.25	6.79	6.25	5.66	5.02	4.36
	55	Q	23100	19000	15300	12200	9410	7120
		P	7.7	7.14	6.52	5.84	5.13	4.41
	60	Q	21100	17300	13900	11000	8450	6330
		P	8.11	7.46	6.74	5.98	5.2	4.41

Qc: Cooling Capacity at Te = +5 °C and Tc = +55 °C

Pi: Power Input at Te = +5 °C and Tc = +55 °C

Model No. : **KAL-035S6-HGX34e/380-4S**



Condenser Specification

Condenser Model	KC 035
Fan	
Qty.	2
Diameter (mm)	630
Air Flow (m3/h)	24800
Electrical	
supply	440-480V/3Ph/60Hz
Power Input (Watt)	650 x 2
Condenser Coil	
Internal Volume (L)	15.5
Heat Transfer Area (m2)	95.1
Headers	
Inlet (Inch)	1-1/8"
Outlet (Inch)	3/4"

Compressor Specification

Unit Model	KAL-035S6-HGX34e/380-4S
Technical Data	
Condensing Unit Net Weight	251.0 kg
Displacement (1750 RPM 60Hz)	39.7 m3/hr
Max. Pressure (LP/HP)	19 / 28 bar
Connection Suction Line	28 mm - 1-1/8"
Connection Discharge Line	22 mm - 7/8"
Motor version	1
Motor Voltage	440-480V Y-3-60Hz
Max Operating Current	18.0 A
Max. Power Input	13.4 kW
Crankcase Heater	120 W PTC (Option)
Oil Type	E 55
Refrigerant	R134A