

OPERATION CAPACITY

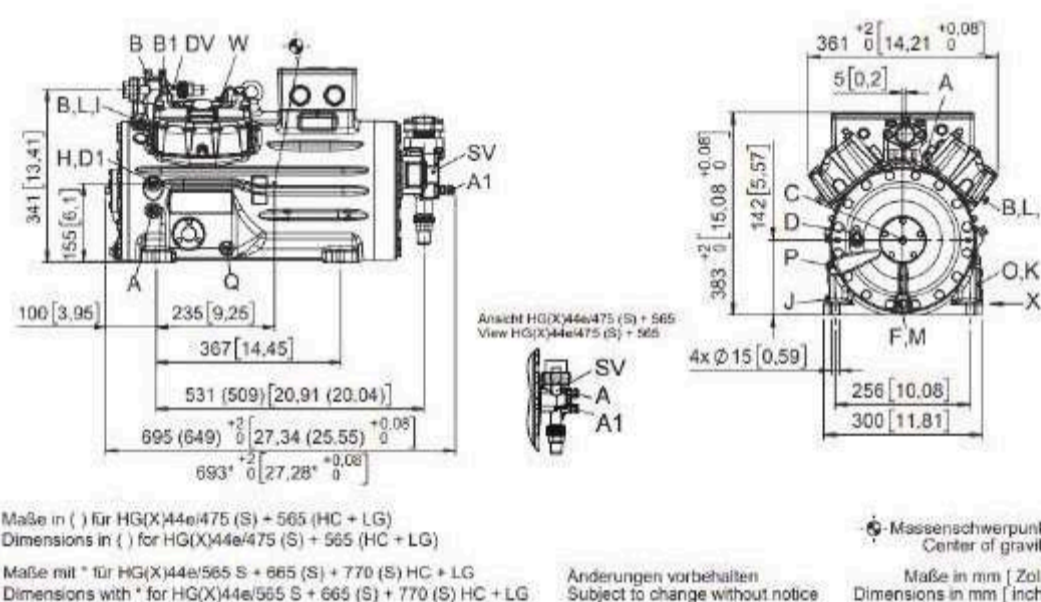
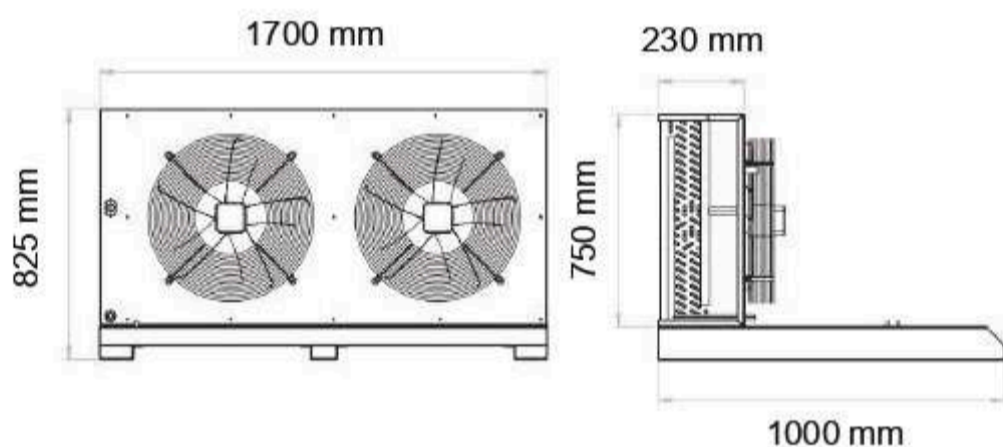


Unit Model	(Tc)	Cooling Power	(Te) Evaporating Temperature °C						
			-5	-10	-15	-20	-25	-30	-35
KAL028S6-HGX44e/475-4	30	Q	39600	32600	26600	21400	16900	13100	9890
		P	9.41	9.07	8.56	7.92	7.17	6.34	5.47
	35	Q	36600	30100	24400	19600	15500	11900	8890
		P	10.2	9.75	9.07	8.28	7.41	6.48	5.54
	40	Q	33600	27500	22300	17800	14000	10700	7900
		P	11	10.3	9.51	8.59	7.61	6.6	5.6
	45	Q	30500	24900	20100	16000	12500	9470	6910
		P	11.7	10.8	9.9	8.85	7.78	6.7	5.66
	50	Q	27400	22300	17900	14200	11000	8260	5930
		P	12.3	11.3	10.2	9.1	7.95	6.82	5.74
	55	Q	24200	19600	15700	12400	9480	7060	4960
		P	12.9	11.7	10.5	9.34	8.12	6.95	5.86

Qc: Cooling Capacity at Te = -25 °C and Tc = +50 °C

Pi: Power Input at Te = -25 °C and Tc = +50 °C

Model No. : KAL-028S6-HGX44e/475-4



Condenser Specification

Condenser Model	KC 028
Fan	
Qty.	2
Diameter (mm)	500
Air Flow (m3/h)	15600
Electrical	
Supply	440-480V/3Ph/60Hz
Power Input (Watt)	500 x 2
Condenser Coil	
Internal Volume (L)	11.0
Heat Transfer Area (m2)	67.1
Headers	
Inlet (Inch)	1-1/8"
Outlet (Inch)	3/4"

Compressor Specification

Unit Model	KAL-028S6-HGX44e/475-4
Technical Data	
Condensing Unit Net Weight	310.0 kg
Displacement (1750 RPM 60Hz)	49.6 m3/hr
Max. Pressure (LP/HP)	19 / 28 bar
Connection Suction Line	35 mm - 1-3/8"
Connection Discharge Line	28 mm - 1-1/8"
Motor version	2
Motor Voltage	440-480V Y-3-60Hz
Max Operating Current	19.0 A
Max. Power Input	13.3 kW
Crankcase Heater	160 W PTC (Option)
Oil Type	E 55
Refrigerant	R404A