

Kaltru



OPERATION CAPACITY



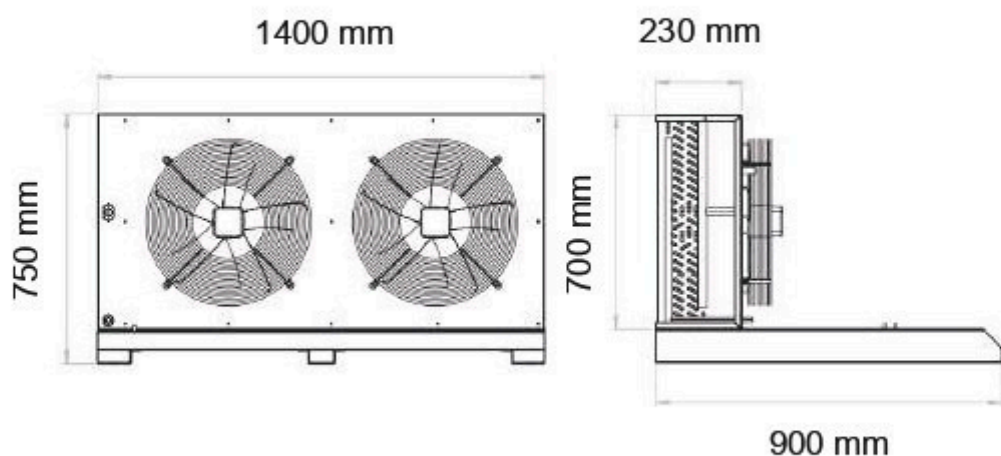
Qc (kw): 8.25

Pi (kw): 6.44

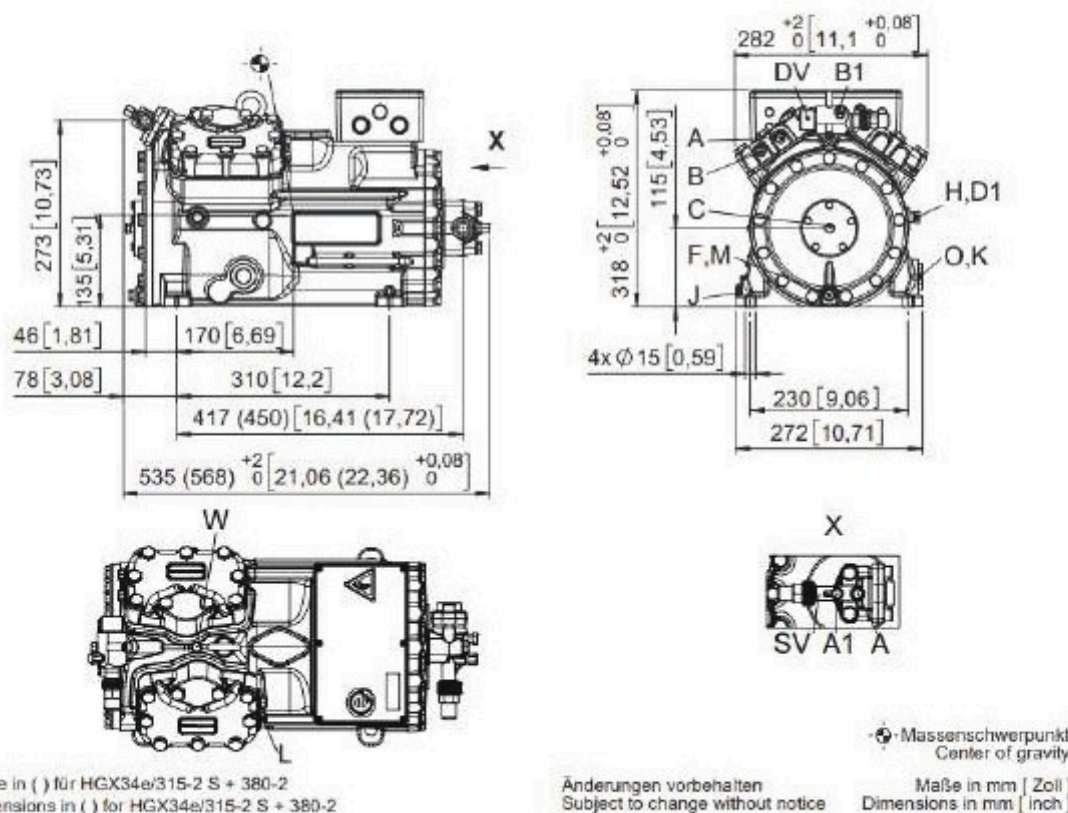
Qc: Cooling Capacity at Te = -25 °C and Tc = +50 °C

Pi: Power Input at Te = -25 °C and Tc = +50 °C

Model No. : KAL-022S6-HGX34e/380-4



Unit Model	(Tc)	Cooling Power	(Te) Evaporating Temperature °C						
			-5	-10	-15	-20	-25	-30	-35
KAL022S6-HGX34e/380-4	30	Q	30500	25200	20500	16400	12900	9830	7350
		P	8.25	7.78	7.21	6.58	5.89	5.17	4.42
	35	Q	28100	23100	18700	14900	11700	8890	6600
		P	8.86	8.27	7.6	6.86	6.08	5.28	4.47
	40	Q	25600	21000	17000	13500	10500	7970	5880
		P	9.46	8.74	7.95	7.12	6.25	5.36	4.48
	45	Q	23200	19000	15300	12100	9360	7070	5160
		P	10	9.17	8.27	7.33	6.37	5.4	4.45
	50	Q	20800	17000	13600	10700	8250	6180	4450
		P	10.5	9.56	8.54	7.5	6.44	5.39	4.37
	55	Q	18500	15000	12000	9330	7130	5280	3740
		P	10.9	9.89	8.76	7.61	6.45	5.32	4.22



Condenser Specification

Condenser Model	KC 022
Fan	
Qty.	2
Diameter (mm)	500
Air Flow (m3/h)	15600
Electrical	
Supply	440-480V/3Ph/60Hz
Power Input (Watt)	500 x 2
Condenser Coil	
Internal Volume (L)	8.3
Heat Transfer Area (m2)	50.9
Headers	
Inlet (Inch)	7/8"
Outlet (Inch)	5/8"

Compressor Specification

Unit Model	KAL-022S6-HGX34e/380-4
Technical Data	
Condensing Unit Net Weight	219.0 kg
Displacement (1750 RPM 60Hz)	39.7 m3/hr
Max. Pressure (LP/HP)	19 / 28 bar
Connection Suction Line	28 mm - 1-1/8"
Connection Discharge Line	22 mm - 7/8"
Motor version	2
Motor Voltage	440-480V Y-3-60Hz
Max Operating Current	15.1 A
Max. Power Input	11.3 kW
Crankcase Heater	120 W PTC (Option)
Oil Type	E 55
Refrigerant	R404A