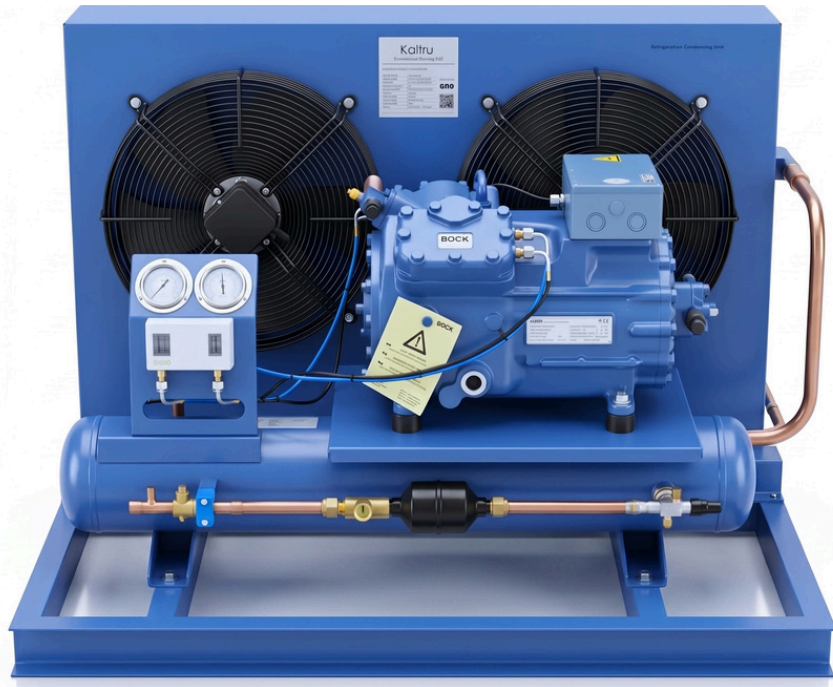


# Kaltru



## OPERATION CAPACITY



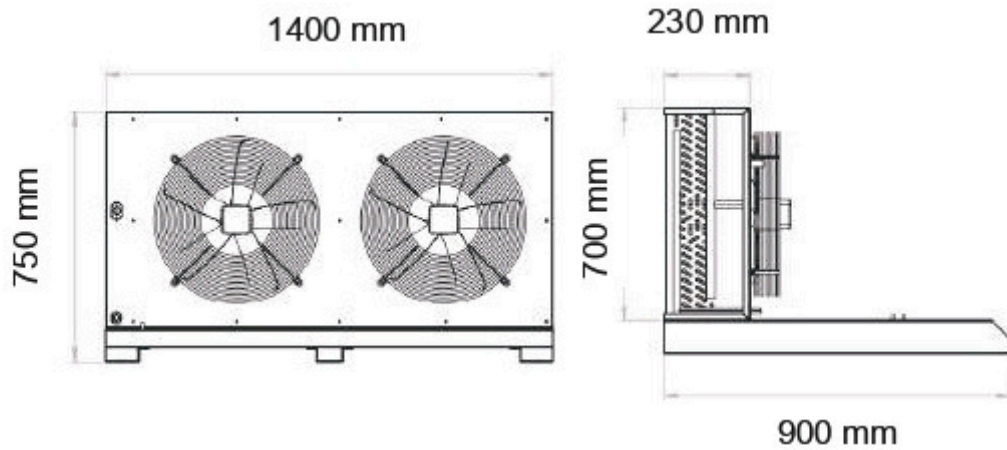
**Qc (kw): 12.3**

**Pi (kw): 6.35**

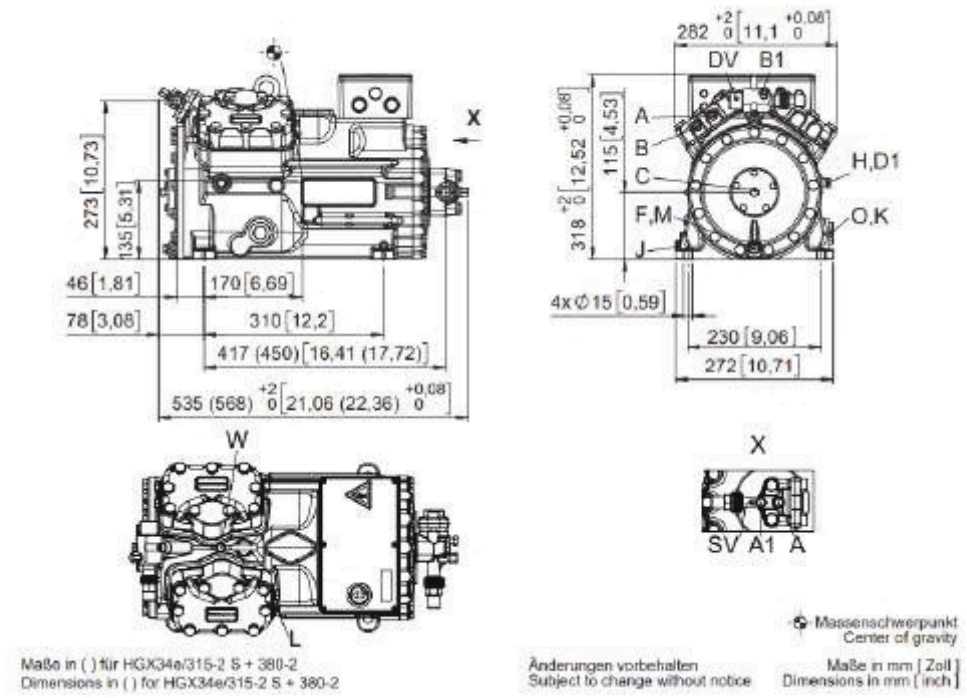
Qc: Cooling Capacity at Te = -8 °C and Tc = +50 °C

Pi: Power Input at Te = -8 °C and Tc = +50 °C

**Model No. : KAL-022S6-HGX34e/255-4S**



Unit Model	(Tc)	Cooling Power	(Te) Evaporating Temperature 'C					
			+5	0	-5	-10	-15	-20
KAL022S6-HGX34e/255-4S	30	Q	30500	25500	21000	17100	13700	10700
		P	5.56	5.54	5.38	5.12	4.76	4.34
	35	Q	28200	23500	19300	15600	12400	9650
		P	6.17	6.03	5.77	5.42	4.98	4.48
	40	Q	25800	21400	17500	14100	11200	8640
		P	6.73	6.48	6.13	5.68	5.16	4.6
	45	Q	23400	19400	15800	12700	9930	7640
		P	7.24	6.89	6.44	5.9	5.31	4.68
	50	Q	21000	17300	14000	11200	8700	6650
		P	7.72	7.26	6.71	6.1	5.43	4.74
	55	Q	18600	15200	12200	9650	7490	5670
		P	8.14	7.59	6.95	6.25	5.52	4.77



## Condenser Specification

<b>Condenser Model</b>	KC 022
<b>Fan</b>	
Qty.	2
Diameter (mm)	500
Air Flow (m3/h)	15600
<b>Electrical</b>	
supply	440-480V/3Ph/60Hz
Power Input (Watt)	500 x 2
<b>Condenser Coil</b>	
Internal Volume (L)	8.3
Heat Transfer Area (m2)	50.9
<b>Headers</b>	
Inlet (Inch)	7/8"
Outlet (Inch)	5/8"

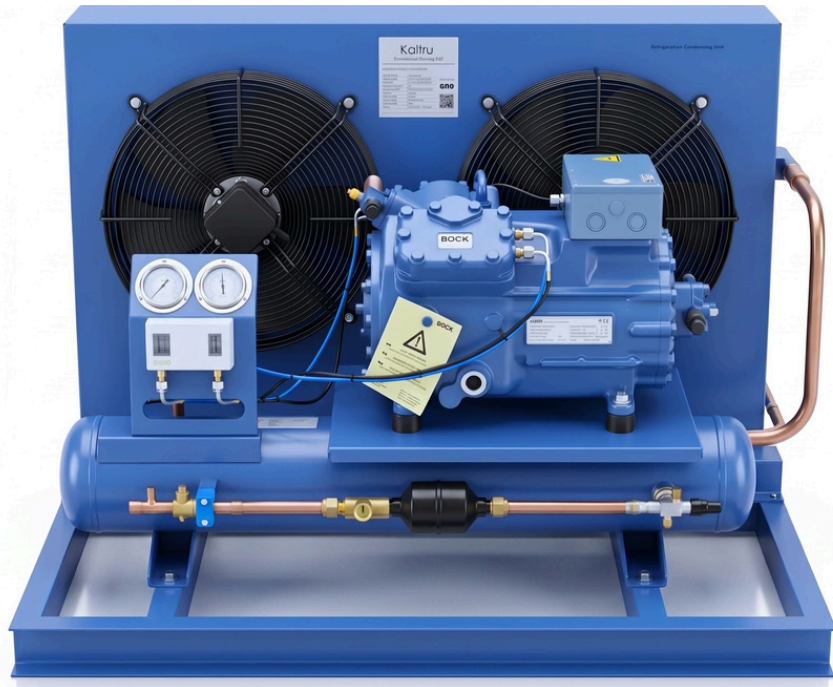
## Compressor Specification

<b>Unit Model</b>	<b>KAL-022S6-HGX34e/255-4S</b>
<b>Technical Data</b>	
Condensing Unit Net Weight	216.0 kg
Displacement (1750 RPM 60Hz)	26.6 m3/hr
Max. Pressure (LP/HP)	19 / 28 bar
Connection Suction Line	28 mm - 1-1/8"
Connection Discharge Line	22 mm - 7/8"
Motor version	1
Motor Voltage	440-480V Y-3-60Hz
Max Operating Current	12.2 A
Max. Power Input	8.7 kW
Crankcase Heater	120 W PTC (Option)
<b>Oil Type</b>	E 55
Refrigerant	R404A

# Kaltru



## OPERATION CAPACITY



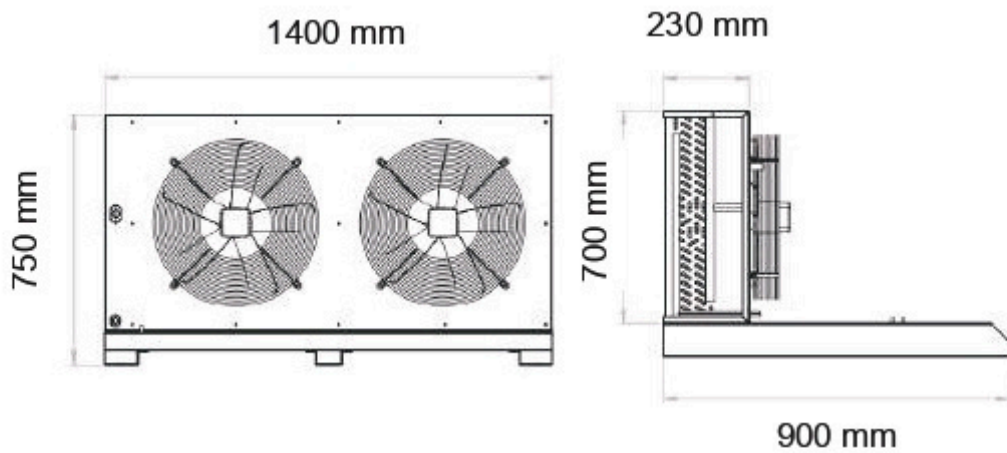
**Qc (Kw): 12.6**

**Pi (Kw): 4.7**

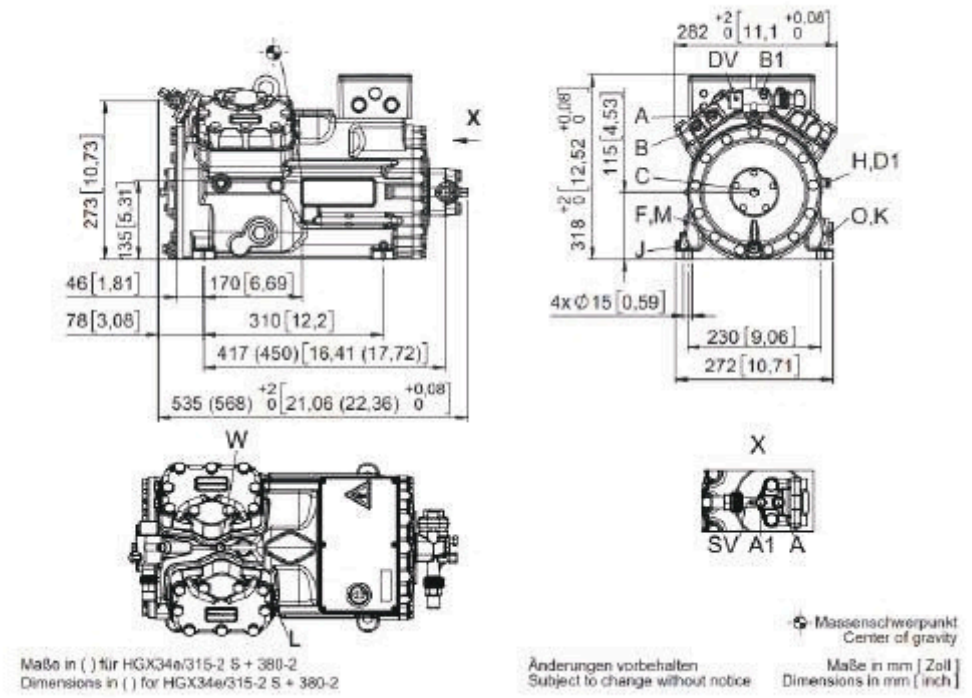
Qc: Cooling Capacity at Te = +5 °C and Tc = +55 °C

Pi: Power Input at Te = +5 °C and Tc = +55 °C

**Model No. : KAL-022S6-HGX34e/255-4S**



Unit Model	(Tc)	Cooling Power	(Te) Evaporating Temperature °C					
			+10	+5	0	-5	-10	-15
KAL022S6-HGX34e/255-4S	35	Q	20900	17300	14000	11100	8560	6420
		P	3.64	3.61	3.47	3.25	2.97	2.66
	40	Q	19600	16100	13000	10300	7890	5880
		P	4.04	3.92	3.71	3.43	3.1	2.74
	45	Q	18200	15000	12100	9440	7220	5340
		P	4.41	4.21	3.93	3.59	3.21	2.81
	50	Q	16800	13800	11100	8630	6560	4820
		P	4.74	4.47	4.12	3.72	3.29	2.85
	55	Q	15400	12600	10100	7820	5910	4310
		P	5.05	4.7	4.29	3.83	3.34	2.86
	60	Q	14000	11400	9050	7010	5270	3810
		P	5.32	4.9	4.42	3.9	3.37	2.86



## Condenser Specification

<b>Condenser Model</b>	KC 022
<b>Fan</b>	
Qty.	2
Diameter (mm)	500
Air Flow (m3/h)	15600
<b>Electrical</b>	
supply	440-480V/3Ph/60Hz
Power Input (Watt)	500 x 2
<b>Condenser Coil</b>	
Internal Volume (L)	8.3
Heat Transfer Area (m2)	50.9
<b>Headers</b>	
Inlet (Inch)	7/8"
Outlet (Inch)	5/8"

## Compressor Specification

<b>Unit Model</b>	<b>KAL-022S6-HGX34e/255-4S</b>
<b>Technical Data</b>	
Condensing Unit Net Weight	216.0 kg
Displacement (1750 RPM 60Hz)	26.6 m3/hr
Max. Pressure (LP/HP)	19 / 28 bar
Connection Suction Line	28 mm - 1-1/8"
Connection Discharge Line	22 mm - 7/8"
Motor version	1
Motor Voltage	440-480V Y-3-60Hz
Max Operating Current	12.2 A
Max. Power Input	8.7 kW
Crankcase Heater	120 W PTC (Option)
<b>Oil Type</b>	E 55
Refrigerant	R134A