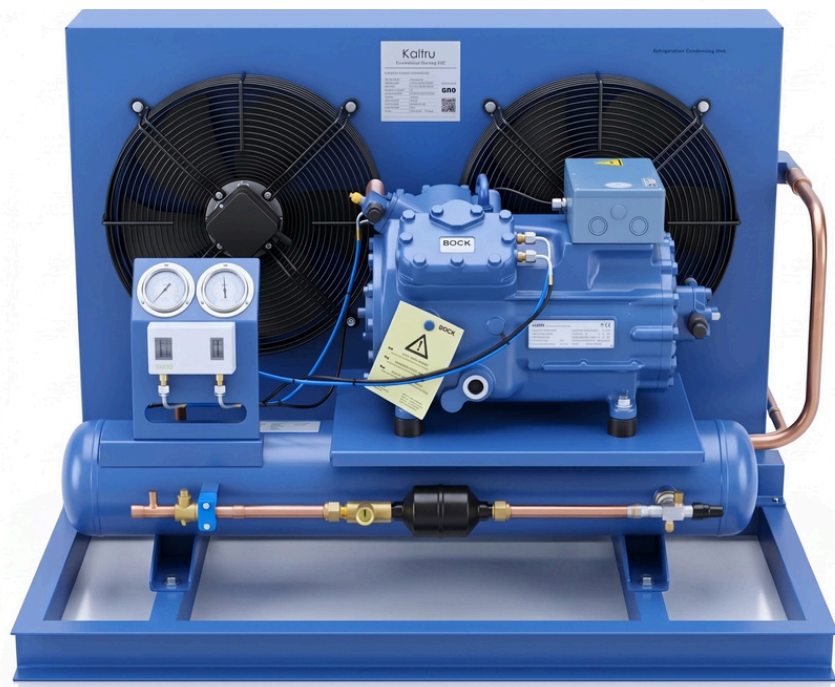


Kaltru



OPERATION CAPACITY



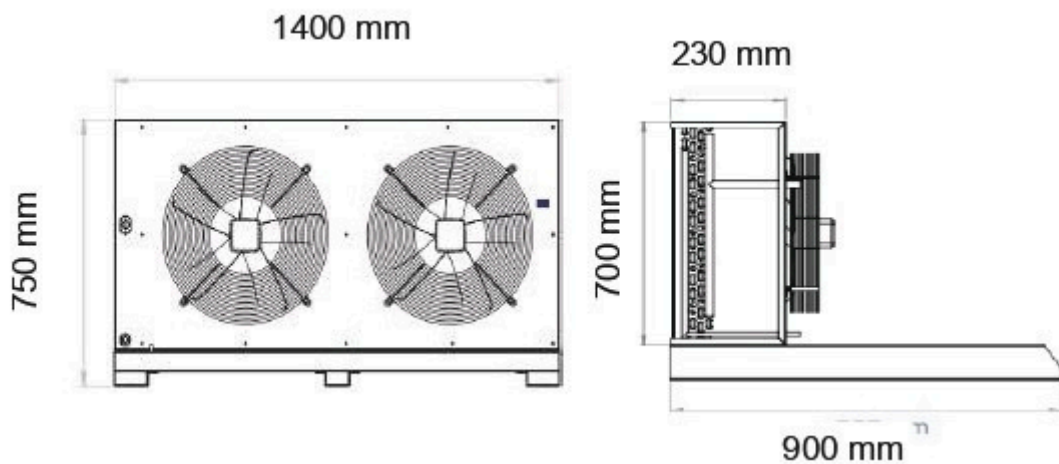
Qc (kw): 10.2

Pi (kw): 5.26

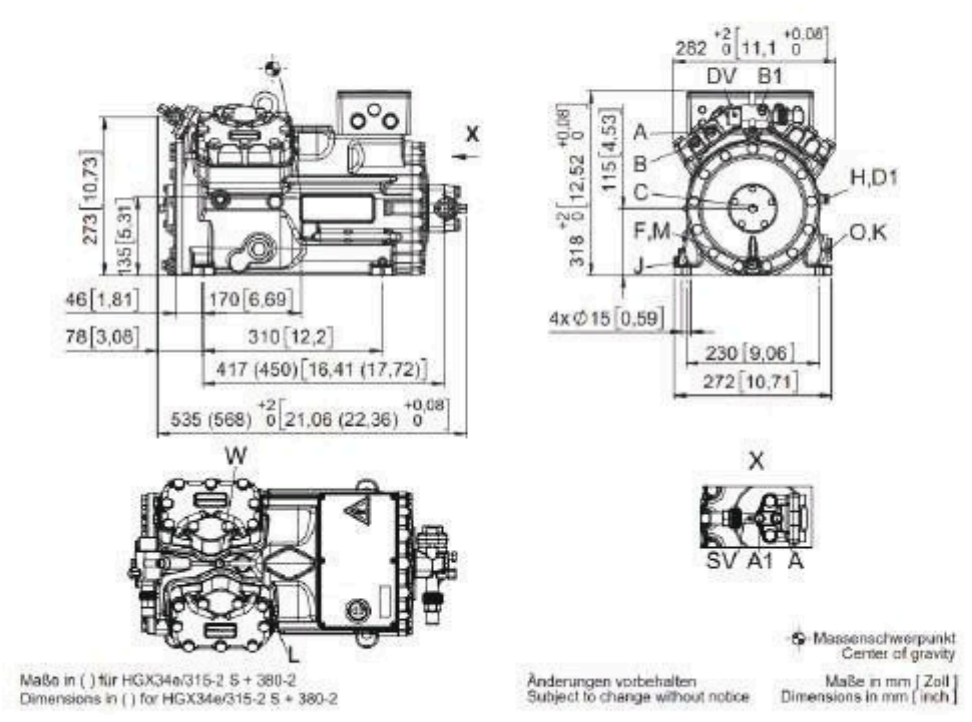
Qc: Cooling Capacity at Te = -8 °C and Tc = +50 °C

Pi: Power Input at Te = -8 °C and Tc = +50 °C

Model No. : KAL-022S6-HGX34e/215-4S



Unit Model	(Tc)	Cooling Power	(Te) Evaporating Temperature 'C					
			+5	0	-5	-10	-15	-20
KAL022S6-HGX34e/215-4S	30	Q	26000	21600	17800	14400	11500	8960
		P	4.65	4.63	4.51	4.31	4.04	3.7
	35	Q	23900	19900	16300	13200	10500	8120
		P	5.15	5.03	4.83	4.55	4.21	3.82
	40	Q	21900	18100	14800	11900	9370	7270
		P	5.61	5.4	5.11	4.75	4.34	3.9
	45	Q	19800	16300	13200	10600	8310	6410
		P	6.04	5.73	5.35	4.92	4.45	3.95
	50	Q	17700	14500	11700	9270	7240	5540
		P	6.43	6.02	5.56	5.05	4.51	3.96
	55	Q	15600	12700	10200	7970	6170	4670
		P	6.78	6.27	5.73	5.15	4.55	3.95



Condenser Specification

Condenser Model	KC 022
Fan	
Qty.	2
Diameter (mm)	500
Air Flow (m ³ /h)	15600
Electrical	
Supply	440-480V/3Ph/60Hz
Power Input for Each Fan (Watt)	500 x 2
Condenser Coil	
Internal Volume (L)	8.3
Heat Transfer Area (m ²)	50.9
Headers	
Inlet (Inch)	7/8"
Outlet (Inch)	5/8"

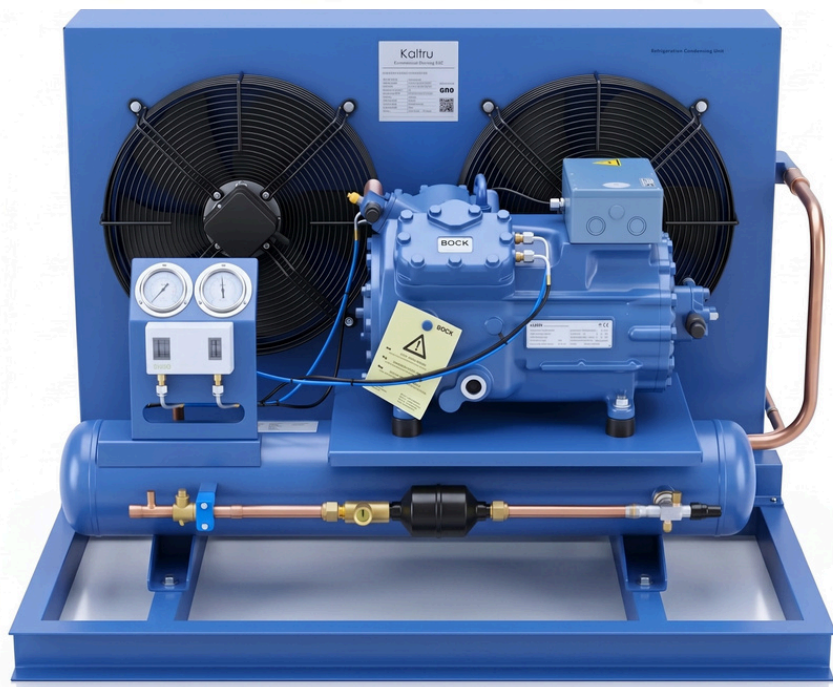
Compressor Specification

Unit Model	KAL-022S6-HGX34e/215-4S
Technical Data	
Condensing Unit Net Weight	217.0 kg
Displacement (1750 RPM 60Hz)	22.6 m ³ /hr
Max. Pressure (LP/HP)	19 / 28 bar
Connection Suction Line	28 mm - 1-1/8"
Connection Discharge Line	22 mm - 7/8"
Motor version	1
Motor Voltage	440-480V Y-3-60Hz
Max Operating Current	10.5 A
Max. Power Input	7.3 kW
Crankcase Heater	120 W PTC (Option)
Oil Type	E 55
Refrigerant	R404A

Kaltru



OPERATION CAPACITY



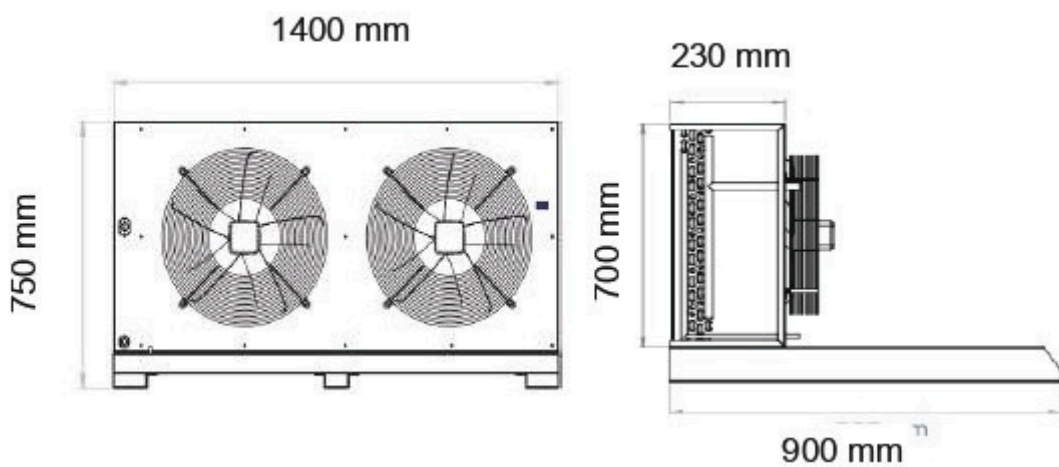
Qc (kw): 10.3

Pi (kw): 3.81

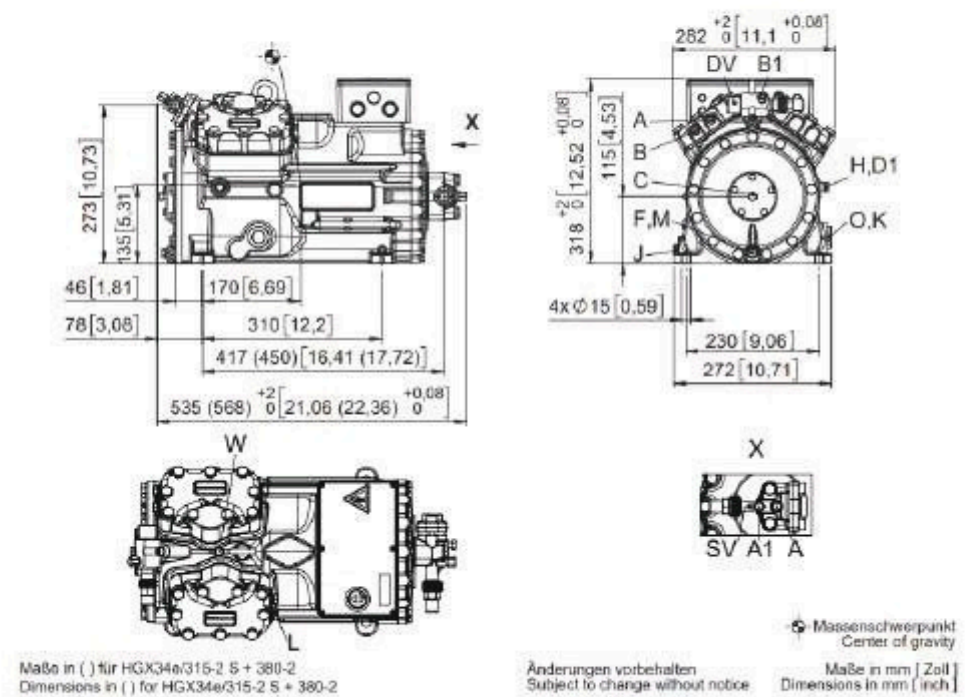
Qc: Cooling Capacity at Te = +5 °C and Tc = +55 °C

Pi: Power Input at Te = +5 °C and Tc = +55 °C

Model No. : KAL-022S6-HGX34e/215-4S



Unit Model	(Tc)	Cooling Power	(Te) Evaporating Temperature °C					
			+10	+5	0	-5	-10	-15
KAL022S6-HGX34e/215-4S	35	Q	17500	14500	11700	9280	7190	5410
		P	3.11	3.05	2.91	2.71	2.48	2.22
	40	Q	16400	13400	10800	8520	6550	4890
		P	3.42	3.28	3.07	2.82	2.55	2.26
	45	Q	15200	12400	9900	7750	5910	4360
		P	3.7	3.48	3.21	2.91	2.6	2.28
	50	Q	14000	11300	8990	6980	5270	3840
		P	3.95	3.66	3.33	2.98	2.63	2.29
	55	Q	12700	10300	8080	6220	4640	3340
		P	4.17	3.81	3.43	3.04	2.65	2.29
	60	Q	11500	9190	7190	5470	4030	2860
		P	4.37	3.94	3.5	3.07	2.65	2.28



Condenser Specification

Condenser Model	KC 022
Fan	
Qty.	2
Diameter (mm)	500
Air Flow (m ³ /h)	15600
Electrical	
supply	440-480V/3Ph/60Hz
Power Input for Each Fan (Watt)	500 x 2
Condenser Coil	
Internal Volume (L)	8.3
Heat Transfer Area (m ²)	50.9
Headers	
Inlet (Inch)	7/8"
Outlet (Inch)	5/8"

Compressor Specification

Unit Model	KAL-022S6-HGX34e/215-4S
Technical Data	
Condensing Unit Net Weight	217.0 kg
Displacement (1750 RPM 60Hz)	22.6 m ³ /hr
Max. Pressure (LP/HP)	19 / 28 bar
Connection Suction Line	28 mm - 1-1/8"
Connection Discharge Line	22 mm - 7/8"
Motor version	1
Motor Voltage	440-480V Y-3-60Hz
Max Operating Current	10.5 A
Max. Power Input	7.3 kW
Crankcase Heater	120 W PTC (Option)
Oil Type	E 55
Refrigerant	R134A