

Item : Item 16  
 Typ : Ceiling

Date 29/04/2025  
 Version : 4.22

**MHE 770 E (Multi Refrigerant)**



**Total capacity : 5.22 kW DT1 (Dew) / DTM (Mean) : 7 / 7.2 K**

Operating conditions

Refrigerant : R404A  
 Room temperature : -18 °C  
 Unit number : 1  
 Pressure : -1 bar / 25 bar

Aeraulic characteristics (per unit)

Nb. and diameter of fans : 4 x 300 (AC fan)  
 Air flow-rate : 4160 m<sup>3</sup>/h  
 Pressure : 0 Pa  
 Air throw : 16 m

Coil characteristics (per unit)

Surface : 26.15 m<sup>2</sup>  
 Volume : Fin 4.49 dm<sup>3</sup>  
 spacing : Inlet 4.23 mm  
 / Outlet : 5/8"-7/8" (D)

Electrical characteristics (per unit)

Rotation speed : 1500 tr/min  
 Maximum input power : 4 x 74 W  
 Maximum operating current : 4 x 0.34 A  
 Motor coupling : -  
 Voltage/ Nb Phases / Frequency : 230V / 1 / 50Hz

Dimensional characteristics (per unit)

Dimensions (L/D/H) : 2499/607/260 mm  
 Empty net weight : 57 kg  
 Packaging (L/D/H) : 2540 / 650 / 470 mm  
 Packed unit weight : 78 kg  
 Standard packaging : Cardboard on pallet

Standard defrost characteristics

Defrost power : 3600 W  
 Defrost current : 5.2 A  
 Voltage/ Nb Phases / Frequency : 400V / 3 / 50Hz  
 Number of elements : 2 + 1

We remind you that since January 1st, 2020, F-GAS has imposed restrictions on the use of the R404A in Europe. Please make sure that your installation complies with EU Regulation No. 517/2014.

(1) The average acoustic pressure level in dB(A) measured at 4 m, at fan height, in direct line of sight on a reflective surface, are given as an example. Only the acoustic pressure spectrum and Lw value, are contractually binding and may be used to evaluate.

All prices are retail prices 2025. Our proposals, quotes and order acceptances are subject to our general terms of sale.

FRIGA-BOHN  
42, Rue Roger SALENGRO BP 205  
69 741 GENAS - FRANCE  
Tel. : +33(0)472 471 444 - Fax : +33(0)472 471 399  
Email : customer.serv@lennoxemea.com

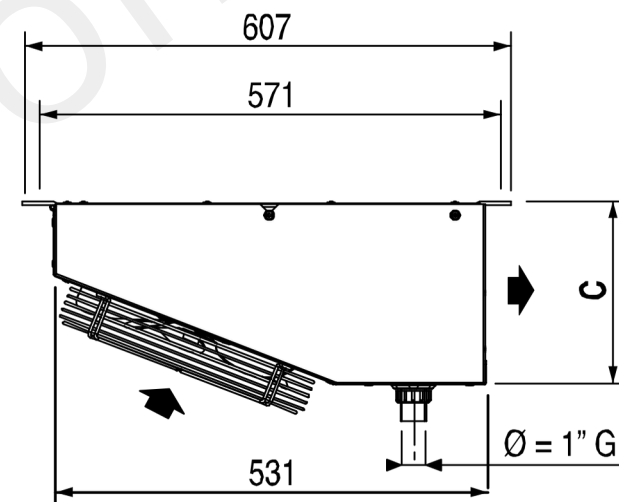
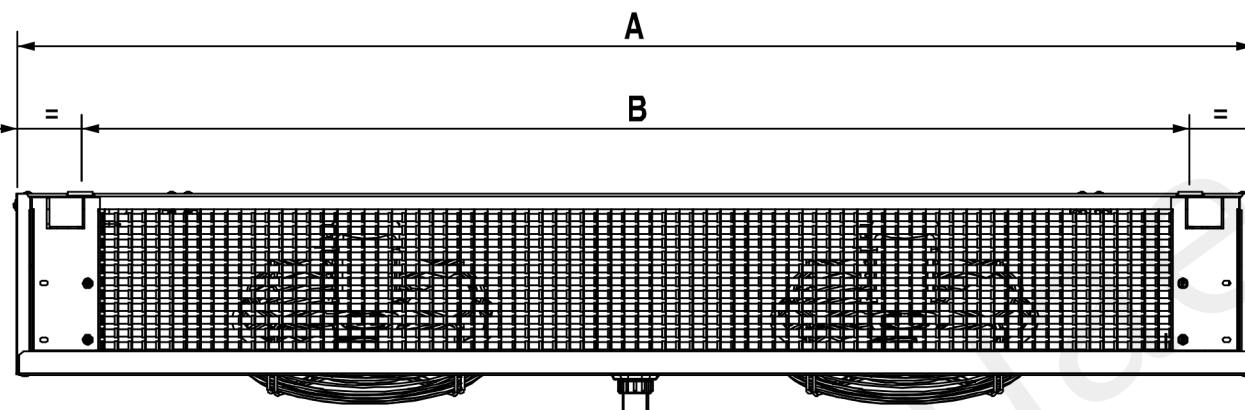


Item : Item 16  
Typ : Ceiling

Date 29/04/2025  
Version : 4.22

Model : MHE 770 E

(Drawings are only indicative)



A = 2499 ; B = 2340 ; C = 260

haste-  
com