

Item : Item 16  
 Typ : Ceiling

Date 17/02/2026  
 Version : 4.22

**MH 380 R (Multi Refrigerant)**



**Total capacity : 3.26 kW DT1 (Dew) / DTM (Mean) : 8 / 8 K**

Operating conditions

Refrigerant : R22  
 Room temperature : 0 °C  
 Unit number : 1  
 Pressure : -1 bar / 25 bar

Aeraulic characteristics (per unit)

Nb. and diameter of fans : 2 x 300 (AC fan)  
 Air flow-rate : 2070 m<sup>3</sup>/h  
 Pressure : 0 Pa  
 Air throw : 16 m

Coil characteristics (per unit)

Surface : 12.98 m<sup>2</sup>  
 Volume : Fin 2.23 dm<sup>3</sup>  
 spacing : Inlet 4.23 mm  
 / Outlet : 1/2"-5/8" (D)

Electrical characteristics (per unit)

Rotation speed : 1500 tr/min  
 Maximum input power : 2 x 74 W  
 Maximum operating current : 2 x 0.34 A  
 Motor coupling : -  
 Voltage/ Nb Phases / Frequency : 230V / 1 / 50Hz

Dimensional characteristics (per unit)

Dimensions (L/D/H) : 1531/607/228 mm  
 Empty net weight : 35 kg  
 Packaging (L/D/H) : 1570 / 650 / 440 mm  
 Packed unit weight : 49 kg  
 Standard packaging : Cardboard on pallet

Standard defrost characteristics

Defrost power : 1800 (E1K) W  
 Defrost current : 7,83 (E1K) A  
 Voltage/ Nb Phases / Frequency : 230/1/50Hz  
 Number of elements : 2+1 (E1K)

(1) The average acoustic pressure level in dB(A) measured at 4 m, at fan height, in direct line of sight on a reflective surface, are given as an example. Only the acoustic pressure spectrum and Lw value, are contractually binding and may be used to evaluate.

Item : Item 16  
Typ : : Ceiling

Date 17/02/2026  
Version : 4.22

## Options MH 380 R

- E1K : Light electrical defrost kit
- BAE : Paint coil protection.
- MM6 : 230 V/1/60 Hz fan assembly
- DMP : Expansion valve mounted
- EEC : Fully equipped evaporator (Solenoid valve, expansion valve, shut off valves..)
- BHA : AquaH coil coating

haste-uae.com

FRIGA-BOHN  
42, Rue Roger SALENGRO BP 205  
69 741 GENAS - FRANCE  
Tel. : +33(0)472 471 444 - Fax : +33(0)472 471 399  
Email : customer.serv@lennoxemea.com

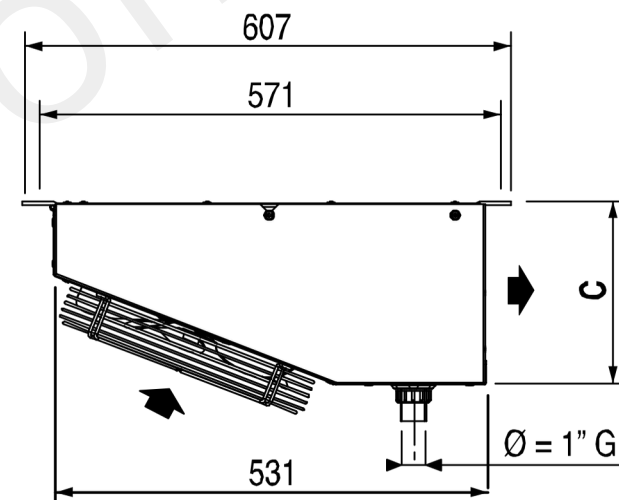
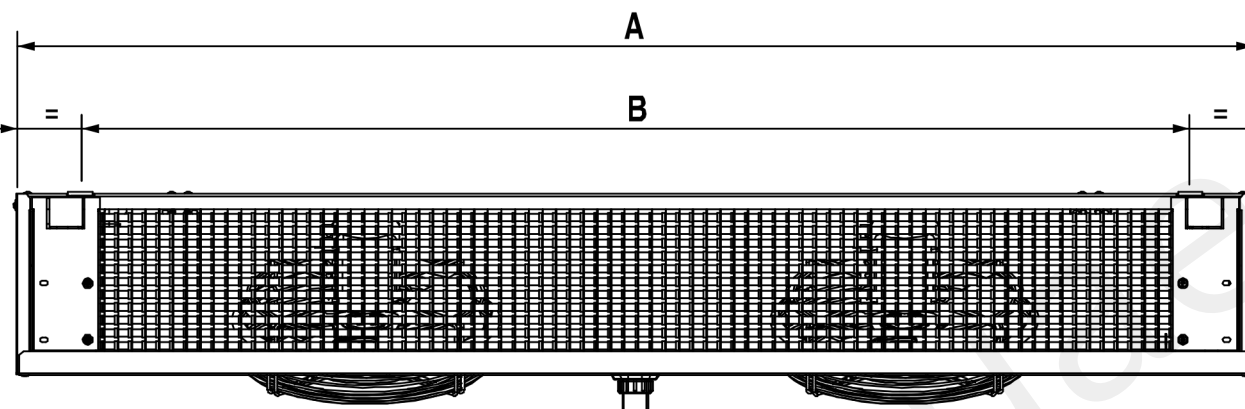


Item : Item 16  
Typ : Ceiling

Date 17/02/2026  
Version : 4.22

Model : MH 380 R

(Drawings are only indicative)



A = 1531 ; B = 1372 ; C = 228

All prices are retail prices 2025. Our proposals, quotes and order acceptances are subject to our general terms of sale.

LFB FRANCE - RCS Lyon B 309 528 115 - S.A.S. with capital of 37,029,000 €.

