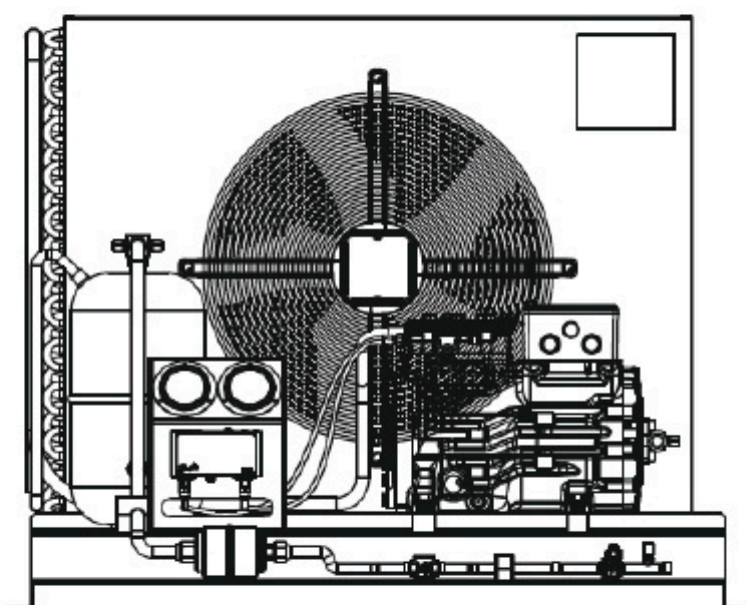


OPERATION CAPACITY



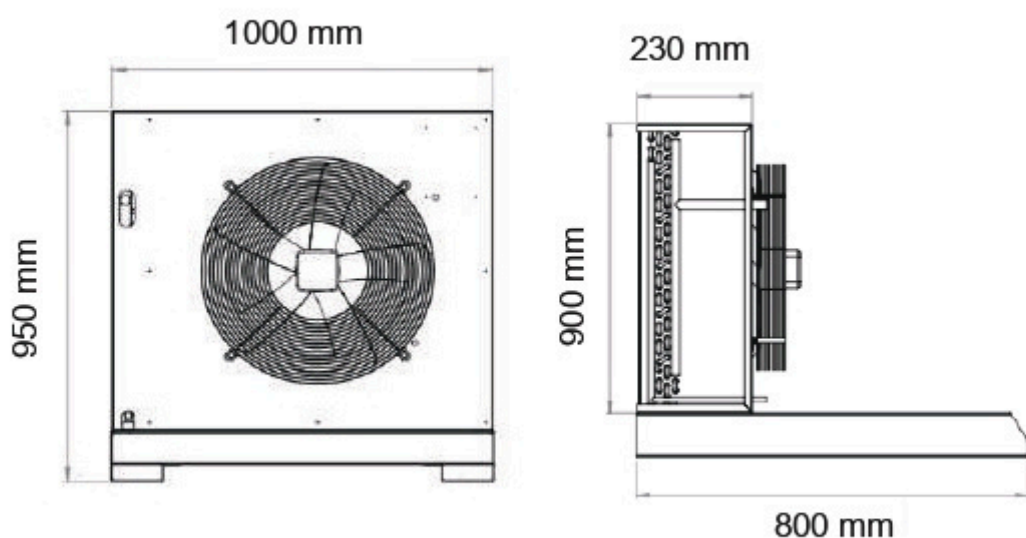
Qc (Kw): 6.64

Pi (Kw): 5.13

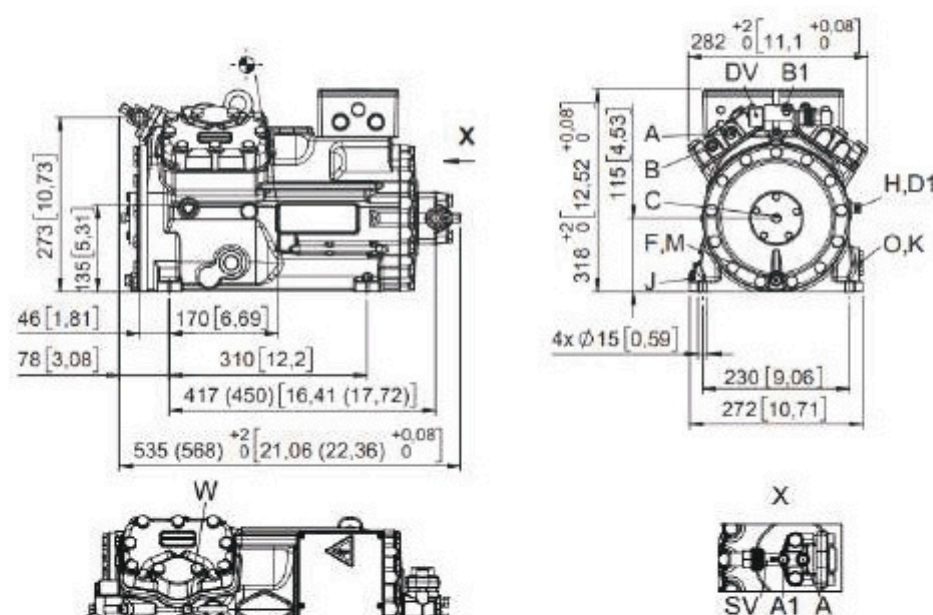
Qc: Cooling Capacity at Te = -25 °C and Tc = +50 °C

Pi: Power Input at Te = -25 °C and Tc = +50 °C

Model No. : KAL-017S6-HGX34e/315-4



Unit Model	(Tc)	Cooling Power	(Te) Evaporating Temperature °C						
			-5	-10	-15	-20	-25	-30	-35
KALC17S6-HGX34e/315-4	30	Q	25200	20800	16900	13500	10500	7940	5840
		P	6.6	6.27	5.84	5.35	4.8	4.21	3.61
	35	Q	23200	19100	15500	12300	9500	7160	5210
		P	7.11	6.67	6.15	5.56	4.93	4.28	3.6
	40	Q	21200	17400	14100	11100	8550	6390	4600
		P	7.59	7.04	6.42	5.74	5.04	4.32	3.6
	45	Q	19200	15700	12600	9920	7600	5630	3990
		P	8.02	7.37	6.65	5.89	5.1	4.31	3.54
	50	Q	17200	14000	11200	8740	6640	4850	3360
		P	8.41	7.65	6.83	5.99	5.13	4.27	3.44
	55	Q	15100	12300	9730	7540	5650	4050	2720
		P	8.75	7.88	6.97	6.0	5.1	4.18	3.29



Maße in () für HGX34e/315-2 S + 380-2
Dimensions in () for HGX34e/315-2 S + 380-2

Änderungen vorbehalten
Subject to change without notice

Massenschwerpunkt
Center of gravity

Maße in mm [Zoll]
Dimensions in mm [inch]

Condenser Specification

Condenser Model	KC 017
Fan	
Qty.	1
Diameter (mm)	630
Air Flow (m3/h)	12400
Electrical	
supply	440-480V/3Ph/60Hz
Power Input for Each Fan (Watt)	650
Condenser Coil	
Internal Volume (L)	7.5
Heat Transfer Area (m2)	45.3
Headers	
Inlet (Inch)	3/4"
Outlet (Inch)	5/8"

Compressor Specification

Unit Model	KAL-017S6-HGX34e/315-4
Technical Data	
Condensing Unit Net Weight	181.0 kg
Displacement (1750 RPM 60Hz)	32.8 m3/hr
Max. Pressure (LP/HP)	19 / 28 bar
Connection Suction Line	28 mm - 1-1/8"
Connection Discharge Line	22 mm - 7/8"
Motor version	2
Motor Voltage	440-480V Y-3-60Hz
Max Operating Current	12.2 A
Max. Power Input	9.0 kW
Crankcase Heater	120 W PTC (Option)
Oil Type	E 55
Refrigerant	R404A

