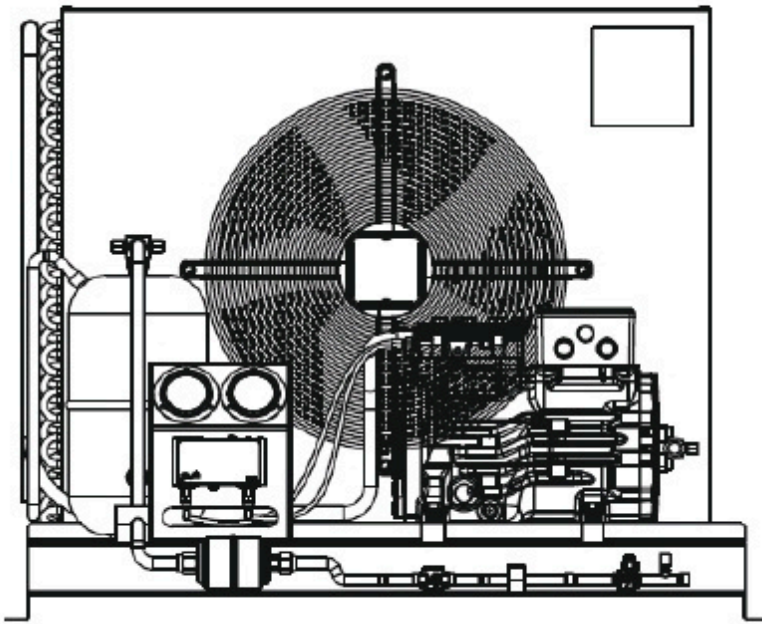


OPERATION CAPACITY



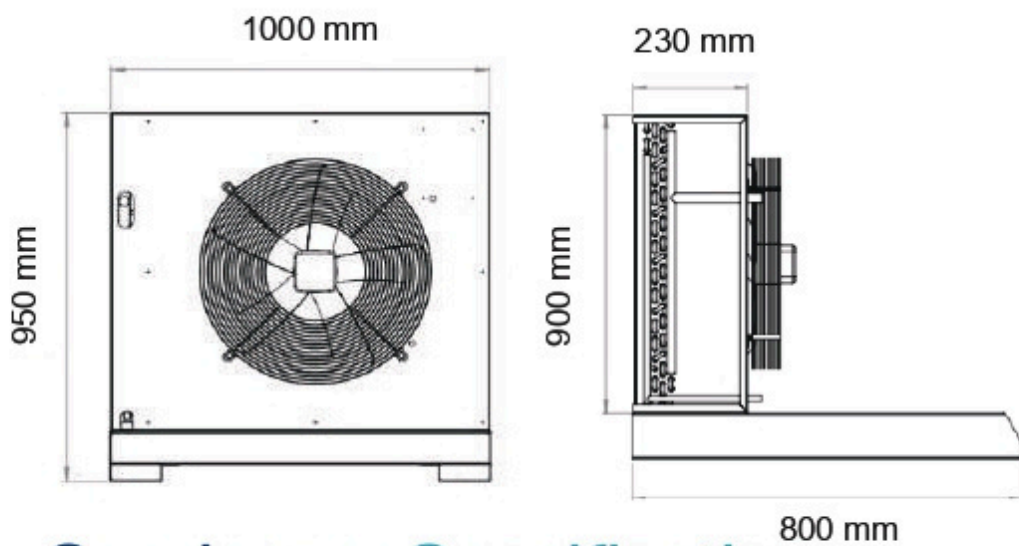
Qc (kw): 9.68

Pi (kw): 4.98

Qc: Cooling Capacity at Te = -8 °C and Tc = +50 °C

Pi: Power Input at Te = -8 °C and Tc = +50 °C

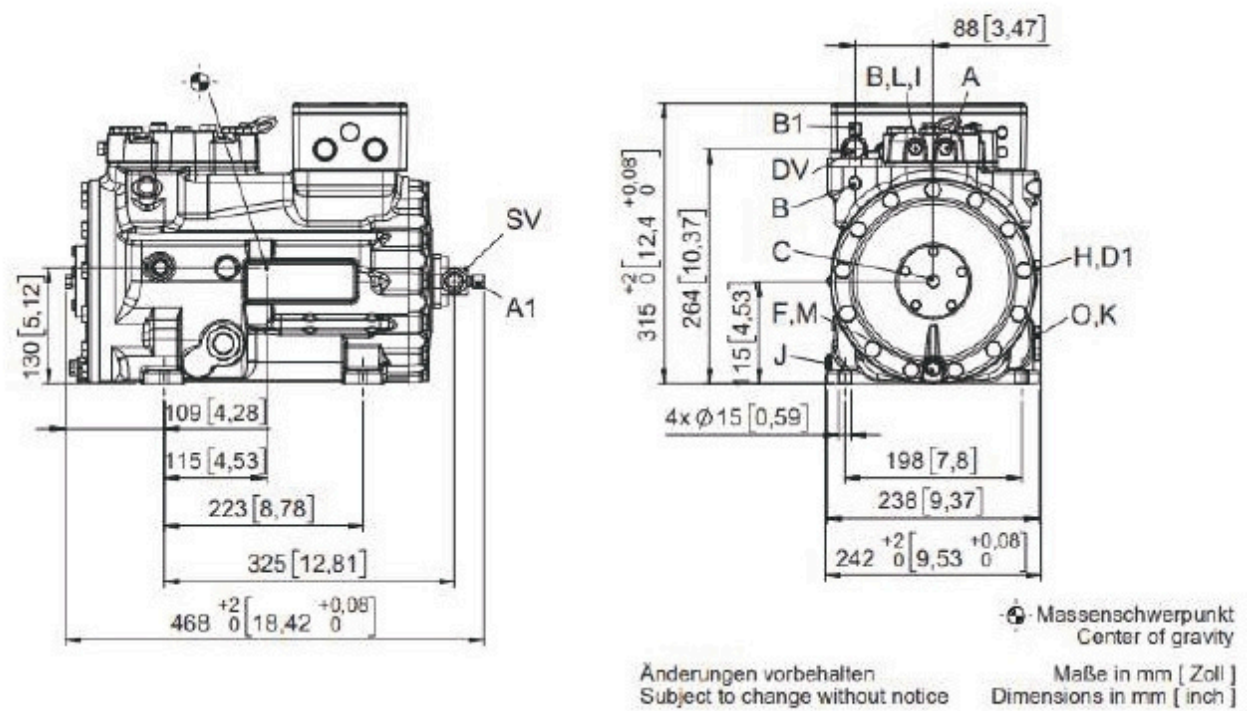
Model No. : KAL-017S6-HGX22e/190-4S



Condenser Specification

Condenser Model	KC 017
Fan	
Qty.	1
Diameter (mm)	630
Air Flow (m3/h)	12400
Electrical	
Supply	440-480V/3Ph/60Hz
Power Input for Each Fan (Watt)	650
Condenser Coil	
Internal Volume (L)	7.5
Heat Transfer Area (m2)	45.3
Headers	
Inlet (Inch)	3/4"
Outlet (Inch)	5/8"

Unit Model	(Tc)	Cooling Power	(Te) Evaporating Temperature 'C					
			+5	0	-5	-10	-15	-20
KAL017S6-HGX22e/190-4S	30	Q	22700	19100	15900	13100	10700	8510
		P	4.21	4.18	4.07	3.9	3.66	3.38
	35	Q	21000	17700	14700	12100	9750	7780
		P	4.66	4.56	4.39	4.15	3.86	3.53
	40	Q	19400	16200	13500	11000	8870	7060
		P	5.11	4.94	4.69	4.39	4.04	3.66
	45	Q	17700	14800	12200	9940	8000	6340
		P	5.54	5.29	4.97	4.61	4.21	3.78
	50	Q	16000	13400	11000	8900	7130	5610
		P	5.94	5.61	5.23	4.81	4.35	3.87
	55	Q	14400	11900	9710	7840	6240	4880
		P	6.31	5.91	5.46	4.97	4.46	3.93



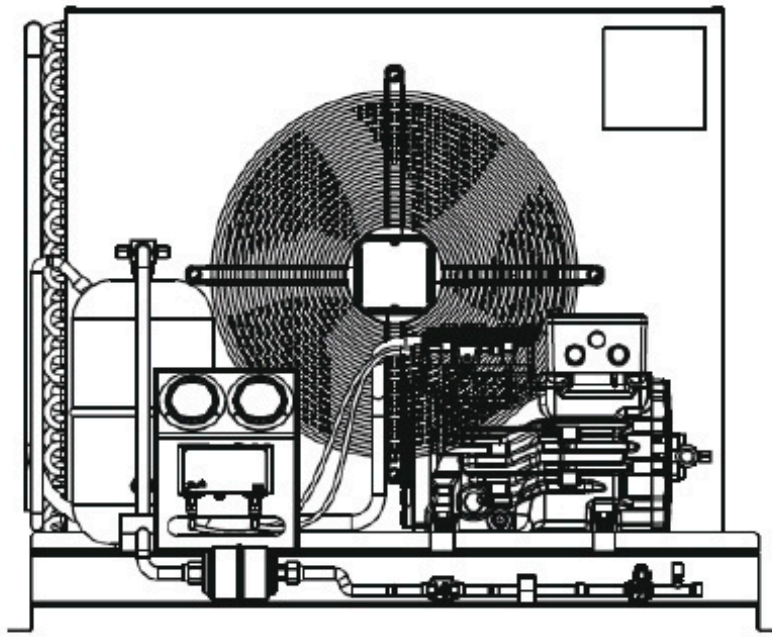
Compressor Specification

Unit Model	KAL-017S6-HGX22e/190-4S
Technical Data	
Condensing Unit Net Weight	163.0 kg
Displacement (1750 RPM 60Hz)	19.8 m3/hr
Max. Pressure (LP/HP)	19 / 28 bar
Connection Suction Line	22 mm - 7/8"
Connection Discharge Line	19 mm - 5/8"
Motor version	1
Motor Voltage	440-480V Y-3-60Hz
Max Operating Current	9.4 A
Max. Power Input	6.8 kW
Crankcase Heater	120 W PTC (Option)
oil Type	E 55
Refrigerant	R404A

Kaltru



OPERATION CAPACITY



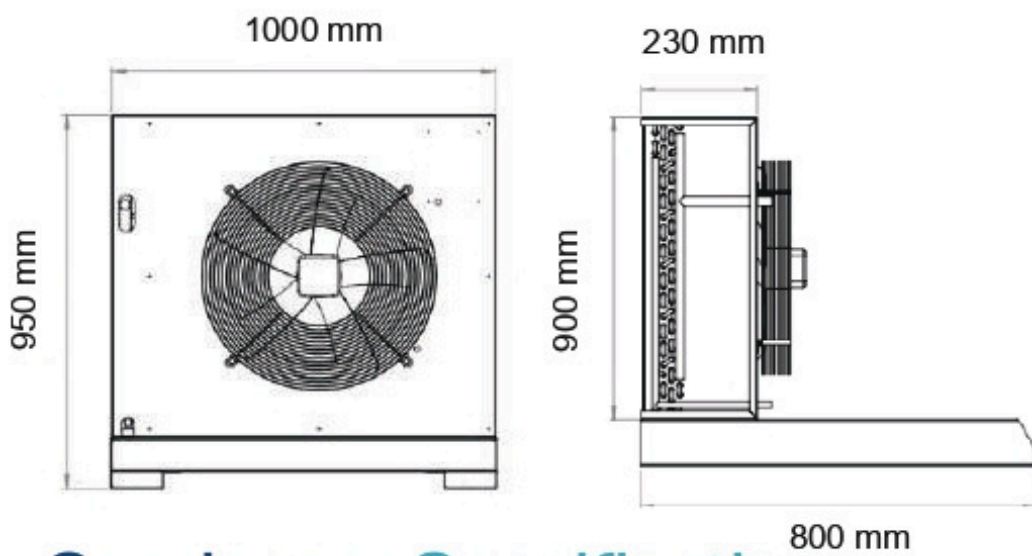
Qc (kw): 9.7

Pi (kw): 3.58

Qc: Cooling Capacity at Te = +5 °C and Tc = +55 °C

Pi: Power Input at Te = +5 °C and Tc = +55 °C

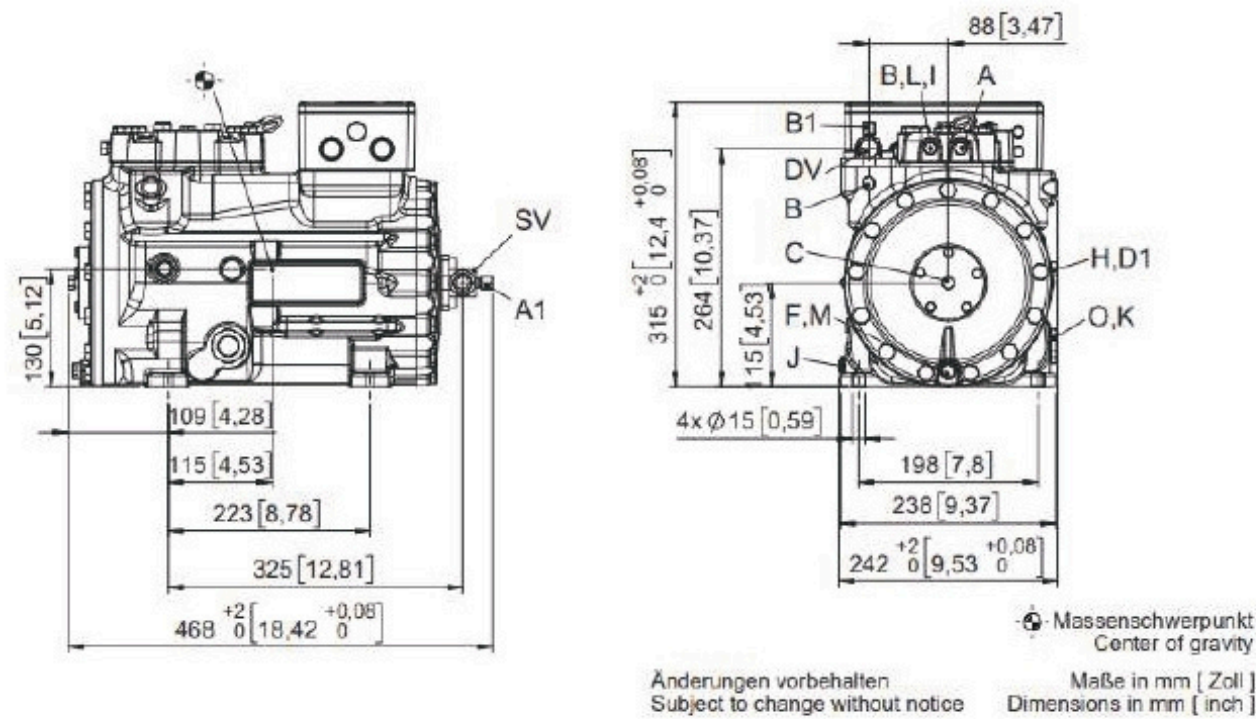
Model No. : KAL-017S6-HGX22e/190-4S



Condenser Specification

Condenser Model	KC 017
Fan	
Qty.	1
Diameter (mm)	630
Air Flow (m ³ /h)	12400
Electrical	
Supply	440-480V/3Ph/60Hz
Power Input for Each Fan (Watt)	650
Condenser Coil	
Internal Volume (l)	7.5
Heat Transfer Area (m ²)	45.3
Headers	
Inlet (Inch)	3/4"
Outlet (Inch)	5/8"

Unit Model	(Tc)	Cooling Power	(Te) Evaporating Temperature °C					
			+10	+5	0	-5	-10	-15
KAL017S6-HGX22e/190-4S	35	Q	15700	13100	10700	8610	6800	5270
		P	2.76	2.72	2.63	2.49	2.33	2.13
	40	Q	14700	12200	9970	8020	6330	4880
		P	3.04	2.95	2.81	2.64	2.44	2.21
	45	Q	13700	11400	9270	7440	5850	4500
		P	3.31	3.17	2.99	2.78	2.54	2.28
	50	Q	12800	10600	8580	6860	5370	4110
		P	3.57	3.38	3.15	2.9	2.62	2.34
	55	Q	11800	9700	7880	6280	4900	3720
		P	3.82	3.58	3.3	3.01	2.7	2.38
	60	Q	10800	8880	7190	5700	4420	3330
		P	4.05	3.75	3.43	3.09	2.75	2.39



Compressor Specification

Unit Model	KAL-017S6-HGX22e/190-4S
Technical Data	
Condensing Unit Net Weight	163.0 kg
Displacement (1750 RPM 60Hz)	19.8 m ³ /hr
Max. Pressure (LP/HP)	19 / 28 bar
Connection Suction Line	22 mm - 7/8"
Connection Discharge Line	19 mm - 5/8"
Motor version	1
Motor Voltage	440-480V Y-3-60Hz
Max Operating Current	9.4 A
Max. Power Input	6.8 kW
Crankcase Heater	120 W PTC (Option)
oil Type	
Refrigerant	R134A