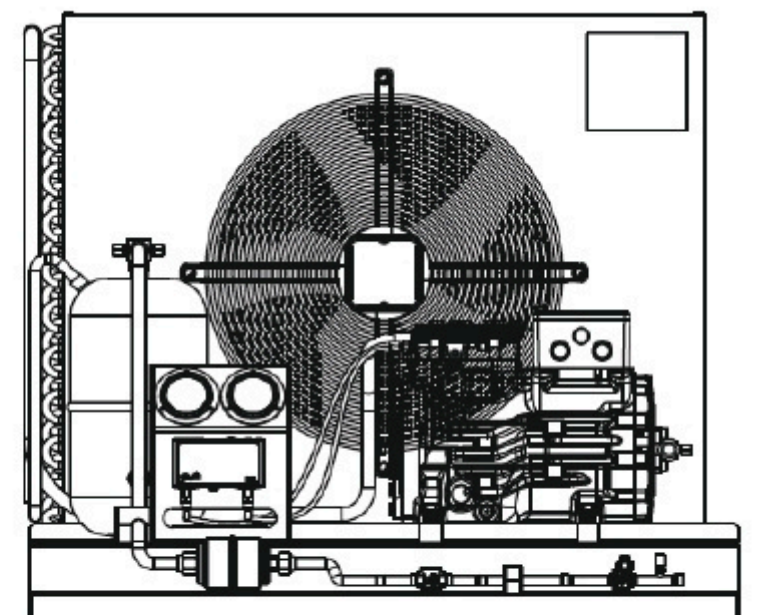


OPERATION CAPACITY



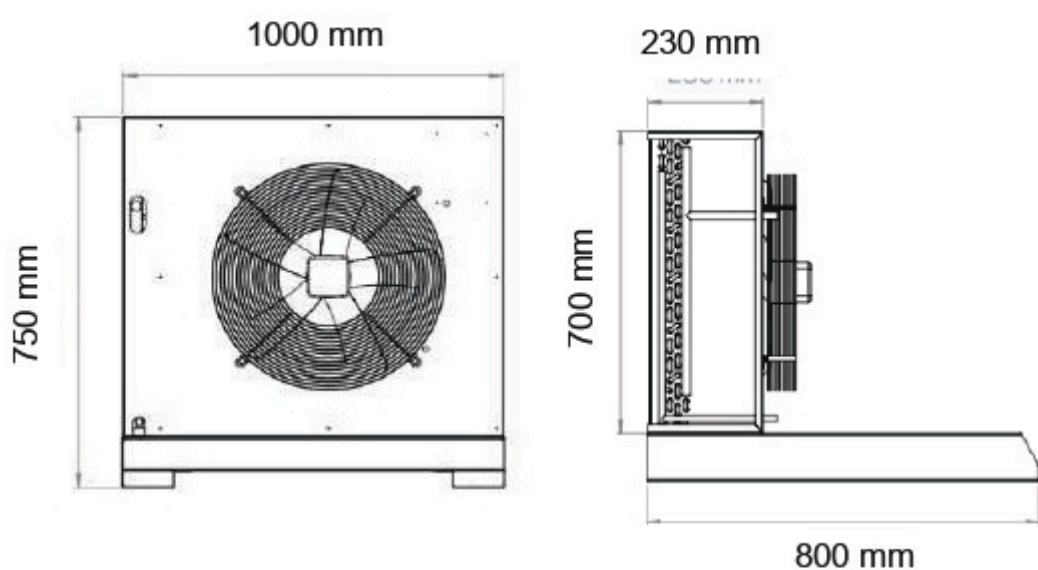
Qc (kw): 5.13

Pi (kw): 4.11

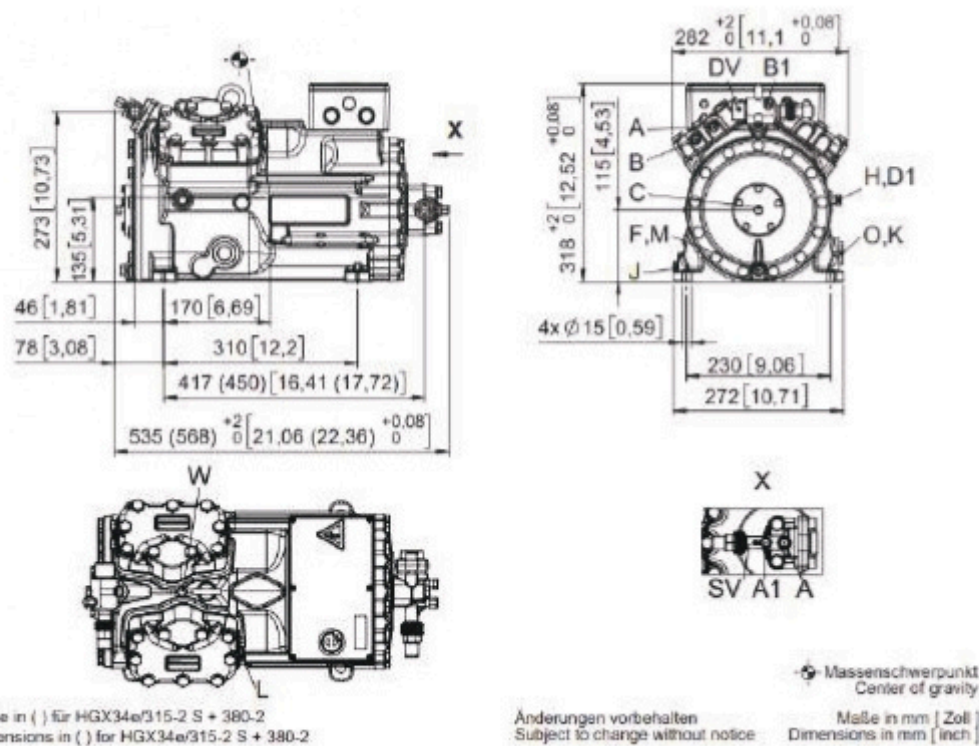
Qc: Cooling Capacity at Te = -25 °C and Tc = +50 °C

Pi: Power Input at Te = -25 °C and Tc = +50 °C

Model No. : KAL-015S6-HGX34e/255-4



Unit Model	(Tc)	Cooling Power	(Te) Evaporating Temperature °C						
			-5	-10	-15	-20	-25	-30	-35
KAL015S6-HGX34e/255-4	30	Q	20400	16800	13600	10800	8390	6330	4620
		P	5.35	5.1	4.76	4.35	3.89	3.39	2.88
	35	Q	18800	15400	12400	9800	7550	5650	4080
		P	5.79	5.44	5.01	4.51	3.98	3.43	2.88
	40	Q	17100	14000	11200	8800	6730	4990	3560
		P	6.19	5.74	5.22	4.65	4.06	3.46	2.87
	45	Q	15500	12600	10100	7810	5920	4350	3070
		P	6.55	6	5.4	4.76	4.11	3.46	2.84
	50	Q	13900	11200	8820	6820	5130	3730	2610
		P	6.85	6.21	5.53	4.8	4.11	3.43	2.77
	55	Q	12200	9730	7630	5840	4350	3130	2170
		P	7.08	6.35	5.6	4.8	4.07	3.34	2.67



Condenser Specification

Condenser Model	KC 015
Fan	
Qty.	1
Diameter (mm)	500
Air Flow (m3/h)	7800
Electrical	
supply	440-480V/3Ph/60Hz
Power Input for Each Fan (Watt)	500
Condenser Coil	
Internal Volume (L)	7.5
Heat Transfer Area (m2)	46.0
Headers	
Inlet (Inch)	3/4"
Outlet (Inch)	5/8"

Compressor Specification

Unit Model	KAL-015S6-HGX34e/255-4
Technical Data	
Condensing Unit Net Weight	173.0 kg
Displacement (1750 RPM 60Hz)	26.6 m3/hr
Max. Pressure (LP/HP)	19 / 28 bar
Connection Suction Line	28 mm - 1-1/8"
Connection Discharge Line	22 mm - 7/8"
Motor version	2
Motor Voltage	440-480V Y-3-60Hz
Max Operating Current	9.8 A
Max. Power Input	7.3 kW
Crankcase Heater	120 W PTC (Option)
Oil Type	E 55
Refrigerant	R404A

