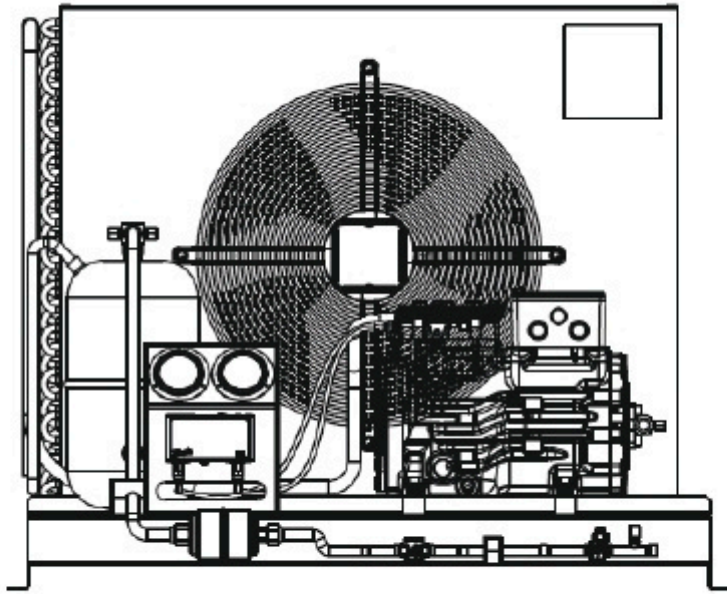


OPERATION CAPACITY



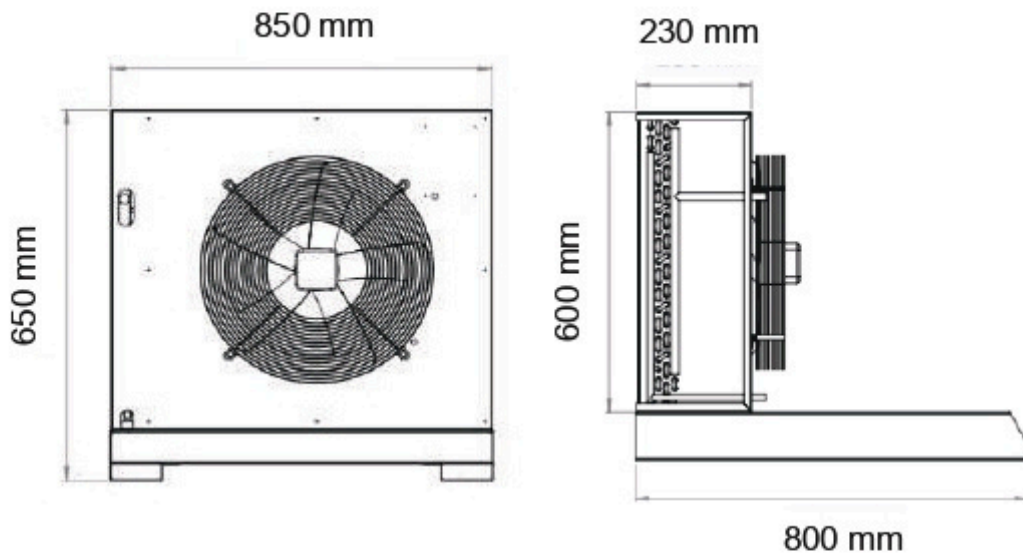
Qc (Kw): 5.18

Pi (Kw): 3.09

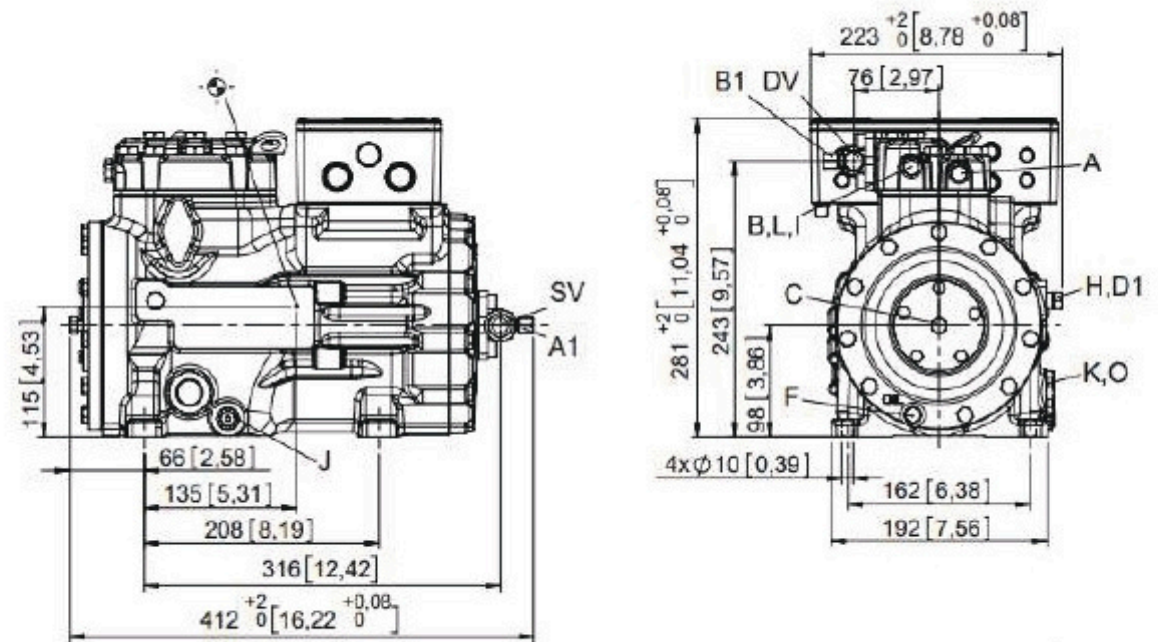
Qc: Cooling Capacity at Te = -8 °C and Tc = +50 °C

Pi: Power Input at Te = -8 °C and Tc = +50 °C

Model No. : KAL-011S6-HGX12P/110-4S



Unit Model	(Tc)	Cooling Power	(Te) Evaporating Temperature °C					
			+5	0	-5	-10	-15	-20
KAL011S6-HGX12P/110-4S	30	Q	12300	10300	8570	7040	5710	4560
		P	2.62	2.6	2.53	2.41	2.26	2.09
	35	Q	11400	9520	7900	6480	5250	4180
		P	2.89	2.82	2.71	2.56	2.38	2.17
	40	Q	10500	8730	7230	5920	4780	3800
		P	3.15	3.04	2.89	2.71	2.49	2.25
	45	Q	9490	7930	6550	5340	4300	3410
		P	3.42	3.26	3.07	2.84	2.59	2.33
	50	Q	8550	7120	5860	4770	3830	3020
		P	3.68	3.48	3.24	2.98	2.69	2.39
	55	Q	7600	6300	5160	4180	3340	2630
		P	3.93	3.69	3.41	3.1	2.78	2.45



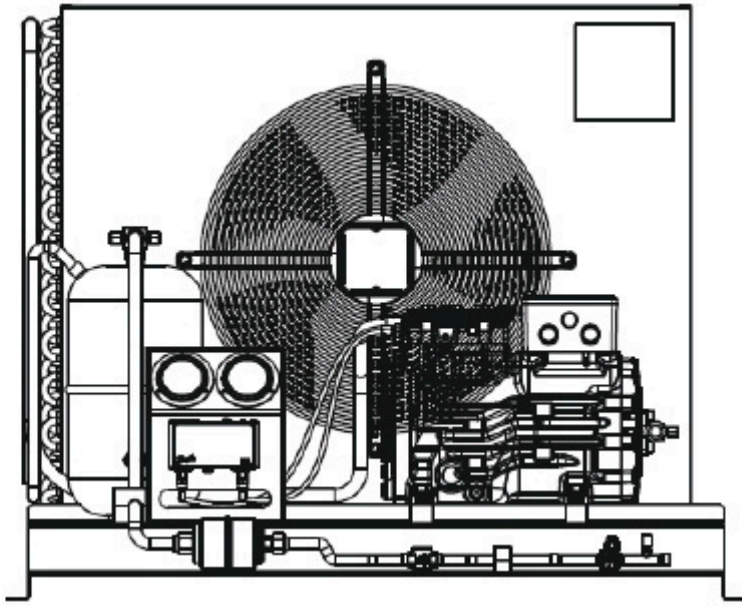
Condenser Specification

Condenser Model	KC 011
Fan	
Qty.	1
Diameter (mm)	450
Air Flow (m ³ /h)	6300
Electrical	
supply	440-480V/3Ph/60Hz
Power Input for Each Fan (W)	285
Condenser Coil	
Internal Volume (L)	5.5
Heat Transfer Area (m ²)	33.6
Headers	
Inlet (Inch)	3/4"
Outlet (Inch)	1/2"

Compressor Specification

Unit Model	KAL-011S6-HGX12P/110-4S
Technical Data	
Condensing Unit Net Weight	113.0 kg
Displacement (1750 RPM 60Hz)	11.3 m ³ /hr
Max. Pressure (LP/HP)	19 / 28 bar
Connection Suction Line	16 mm - 5/8"
Connection Discharge Line	12 mm - 1/2"
Motor version	1
Motor Voltage	440-480V Y-3-60Hz
Max Operating Current	6.1 A
Max. Power Input	4.4 kW
Crankcase Heater	120 W PTC (Option)
Oil Type	E 55
Refrigerant	R404A

OPERATION CAPACITY



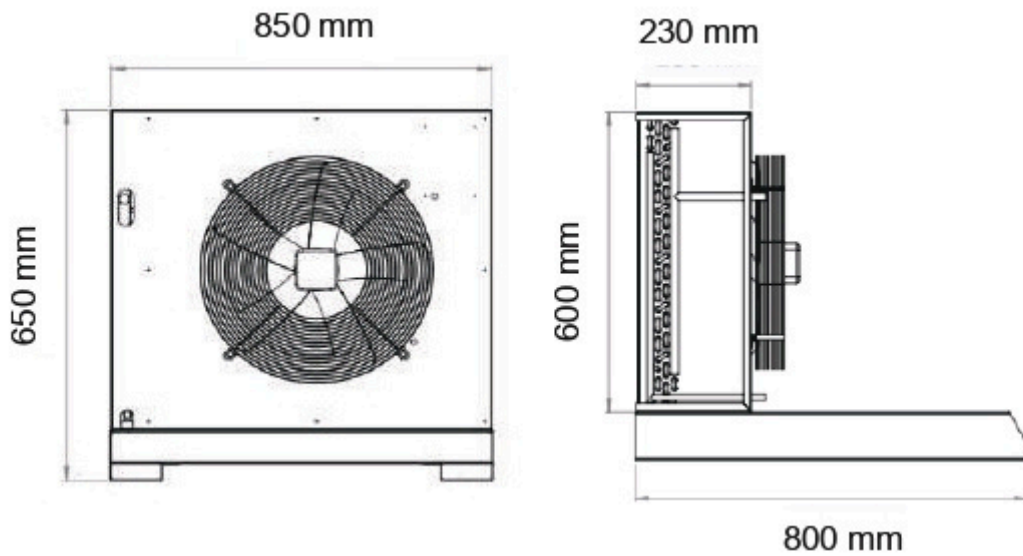
Qc (Kw): 5.12

Pi (Kw): 2.02

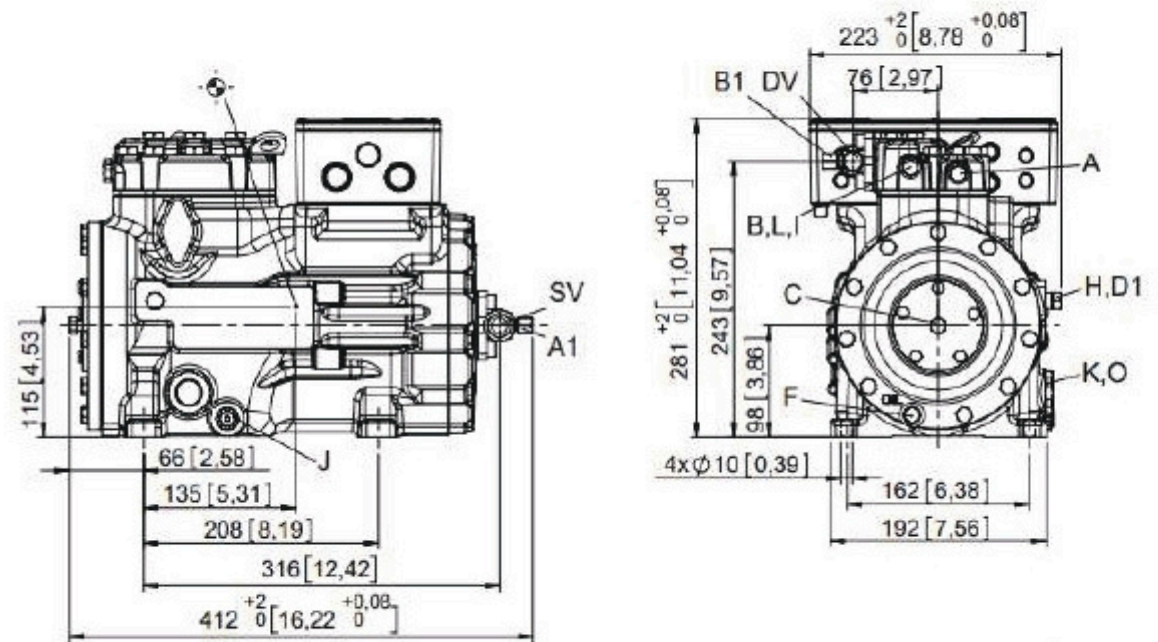
Qc: Cooling Capacity at Te = +5 °C and Tc = +55 °C

Pi: Power Input at Te = +5 °C and Tc = +55 °C

Model No. : KAL-011S6-HGX12P/110-4S



Unit Model	(Tc)	Cooling Power	(Te) Evaporating Temperature °C					
			+10	+5	0	-5	-10	-15
KAL011S6-HGX12P/110-4S	35	Q	8670	7140	5810	4650	3670	2830
		P	1.64	1.6	1.53	1.43	1.32	1.2
	40	Q	8050	6620	5370	4290	3370	2590
		P	1.78	1.71	1.62	1.5	1.37	1.25
	45	Q	7440	6100	4950	3940	3090	2360
		P	1.91	1.82	1.7	1.57	1.43	1.29
	50	Q	6840	5610	4530	3600	2810	2120
		P	2.04	1.92	1.78	1.63	1.48	1.33
	55	Q	6260	5120	4130	3270	2530	1900
		P	2.17	2.02	1.86	1.68	1.52	1.36
	60	Q	5690	4650	3740	2950	2270	1680
		P	2.28	2.11	1.92	1.73	1.55	1.39



Condenser Specification

Condenser Model	KC 011
Fan	
Qty.	1
Diameter (mm)	450
Air Flow (m ³ /h)	6300
Electrical	
supply	440-480V/3Ph/60Hz
Power Input for Each Fan (W)	285
Condenser Coil	
Internal Volume (L)	5.5
Heat Transfer Area (m ²)	33.6
Headers	
Inlet (Inch)	3/4"
Outlet (Inch)	1/2"

Compressor Specification

Unit Model	KAL-011S6-HGX12P/110-4S
Technical Data	
Condensing Unit Net Weight	113.0 kg
Displacement (1750 RPM 60Hz)	11.3 m ³ /hr
Max. Pressure (LP/HP)	19 / 28 bar
Connection Suction Line	16 mm - 5/8"
Connection Discharge Line	12 mm - 1/2"
Motor version	1
Motor Voltage	440-480V Y-3-60Hz
Max Operating Current	6.1 A
Max. Power Input	4.4 kW
Crankcase Heater	120 W PTC (Option)
Oil Type	E 55
Refrigerant	R134A