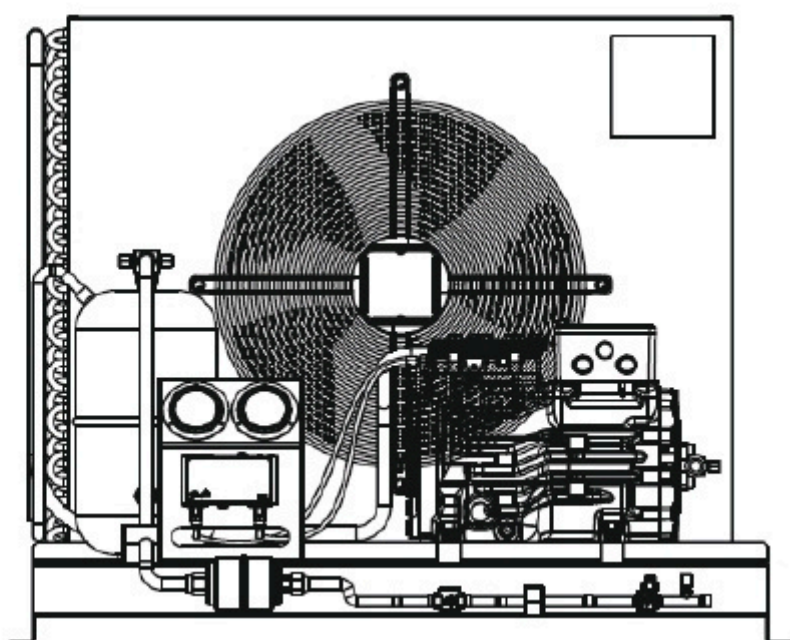


Kaltru



OPERATION CAPACITY



Unit Model	(Tc)	Cooling Power	(Te) Evaporating Temperature °C						
			-5	-10	-15	-20	-25	-30	-35
KAL009S6-HGX22e/160-4	30	Q	12900	10700	8670	6930	5400	4080	2980
		P	3.3	3.16	2.98	2.76	2.5	2.22	1.92
	35	Q	11900	9790	7950	6310	4890	3670	2640
		P	3.57	3.38	3.14	2.87	2.58	2.27	1.94
	40	Q	10900	8940	7220	5700	4380	3260	2320
		P	3.82	3.57	3.29	2.97	2.64	2.3	1.95
	45	Q	9870	8080	6490	5090	3880	2860	2020
		P	4.05	3.74	3.41	3.06	2.69	2.32	1.95
	50	Q	8860	7220	5760	4490	3390	2480	1730
		P	4.24	3.88	3.5	3.11	2.71	2.32	1.94
	55	Q	7840	6350	5030	3890	2910	2110	1460
		P	4.39	3.99	3.57	3.14	2.71	2.29	1.9

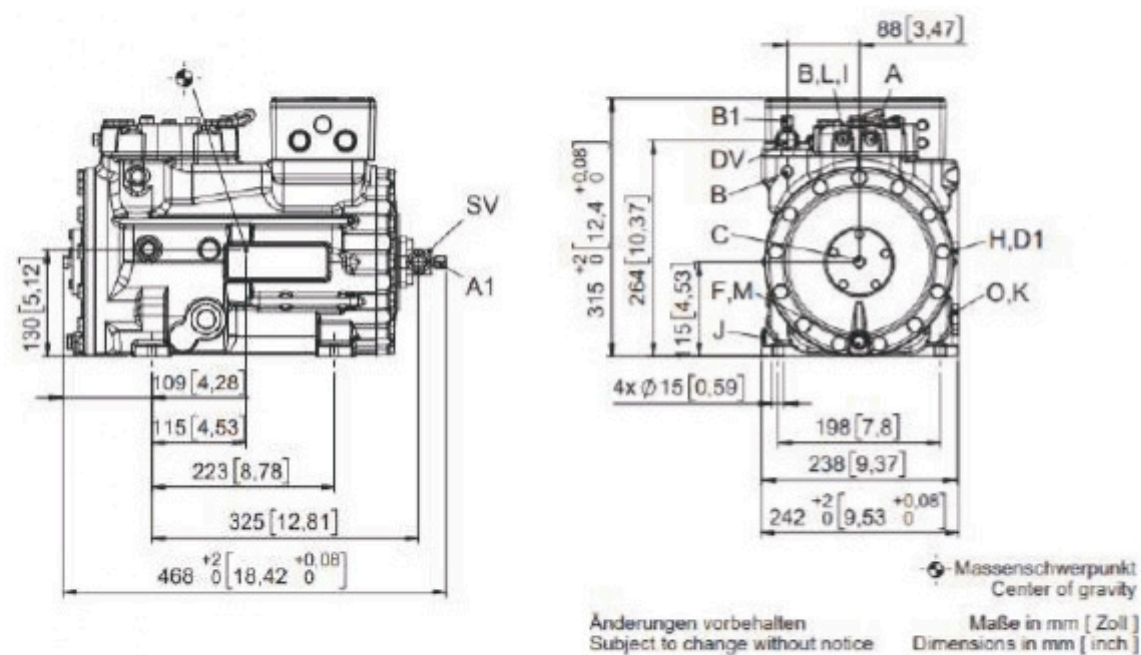
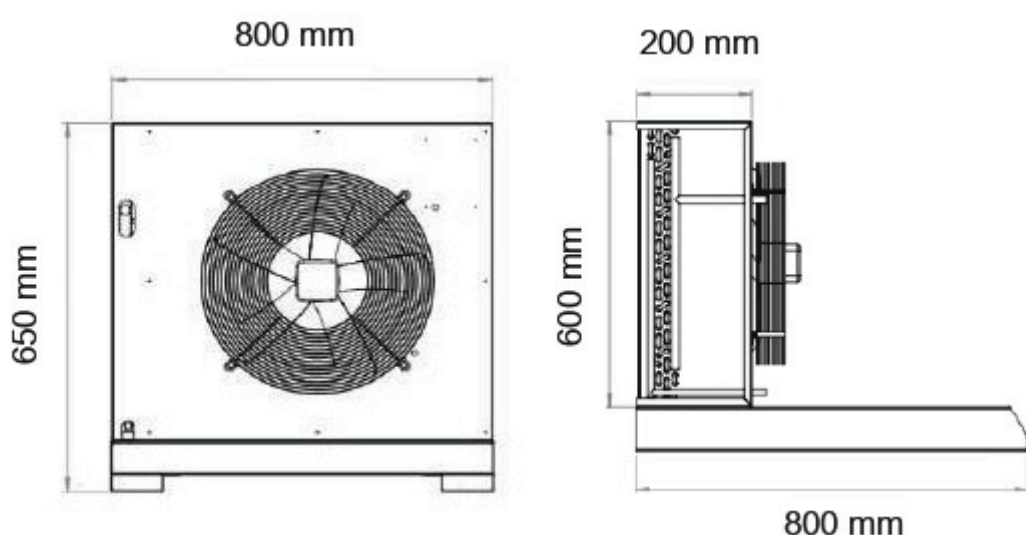
Qc (kw): 3.39

Pi (kw): 2.71

Qc: Cooling Capacity at Te = -25 °C and Tc = +50 °C

Pi: Power Input at Te = -25 °C and Tc = +50 °C

Model No. : KAL-009S6-HGX22e/160-4



Condenser Specification

Condenser Model	KC 009
Fan	
Qty.	1
Diameter (mm)	450
Air Flow (m3/h)	6300
Electrical	
supply	440-480V/3Ph/60Hz
Power Input for Each Fan (Watt)	285
Condenser Coil	
Internal Volume (L)	3.9
Heat Transfer Area (m2)	23.5
Headers	
Inlet (Inch)	5/8"
Outlet (Inch)	1/2"

Compressor Specification

Unit Model	KAL-009S6-HGX22e/160-4
Technical Data	
Condensing Unit Net Weight	131.0 kg
Displacement (1750 RPM 60Hz)	16.4 m3/hr
Max. Pressure (LP/HP)	19 / 28 bar
Connection Suction Line	22 mm - 7/8"
Connection Discharge Line	16 mm - 5/8"
Motor version	2
Motor Voltage	440-480V Y-3-60Hz
Max Operating Current	6.4 A
Max. Power Input	4.5 kW
Crankcase Heater	120 W PTC (Option)
Oil Type	E 55
Refrigerant	R404A

