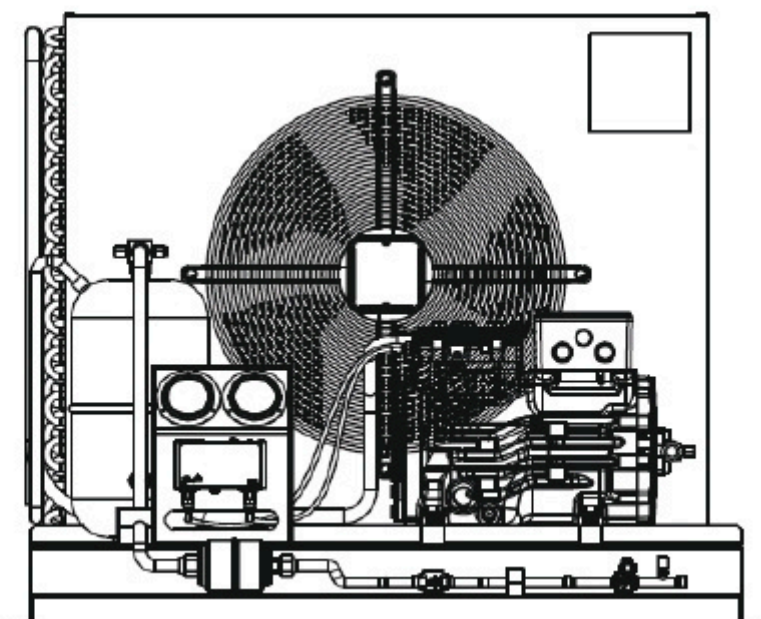


OPERATION CAPACITY



Unit Model	(Tc)	Cooling Power	(Te) Evaporating Temperature °C						
			-5	-10	-15	-20	-25	-30	-35
KAL007S6-HGX22e/125-4	30	Q	10500	8590	6960	5510	4250	3170	2280
		P	2.7	2.6	2.45	2.26	2.04	1.8	1.55
	35	Q	9630	7910	6370	5010	3840	2840	2010
		P	2.92	2.77	2.57	2.34	2.09	1.82	1.55
	40	Q	8830	7220	5780	4520	3430	2510	1760
		P	3.11	2.91	2.67	2.4	2.13	1.84	1.55
	45	Q	8030	6530	5200	4030	3040	2200	1530
		P	3.28	3.04	2.76	2.46	2.15	1.85	1.54
	50	Q	7210	5820	4600	3540	2640	1900	1320
		P	3.42	3.14	2.83	2.5	2.17	1.84	1.53
	55	Q	6360	5100	3990	3040	2250	1600	1110
		P	3.54	3.21	2.87	2.52	2.16	1.82	1.51

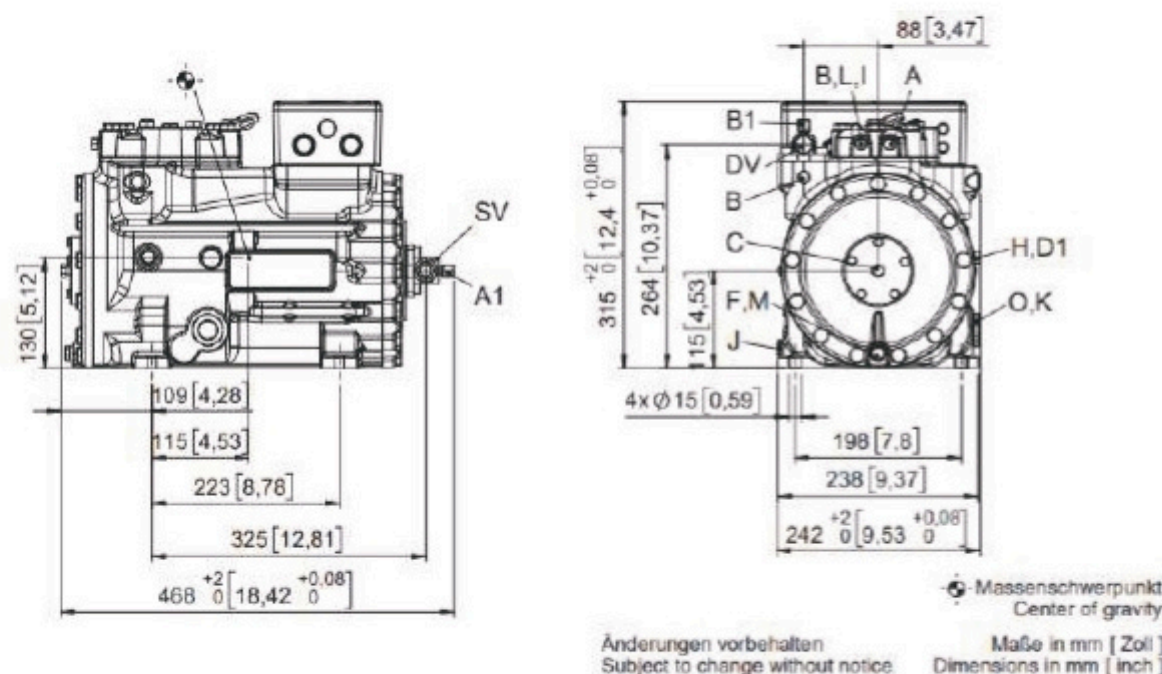
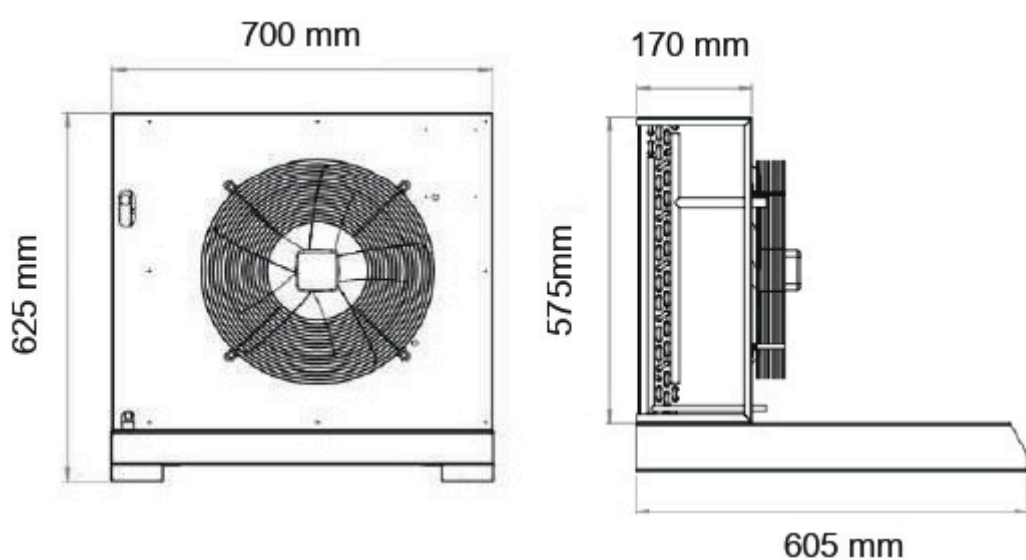
Qc (Kw): 2.64

Pi (Kw): 2.17

Qc: Cooling Capacity at Te = -25 °C and Tc = +50 °C

Pi: Power Input at Te = -25 °C and Tc = +50 °C

Model No. : KAL-007S6-HGX22e/125-4



Condenser Specification

Condenser Model	KC 007
Fan	
Qty.	1
Diameter (mm)	400
Air Flow (m3/h)	4400
Electrical	
Supply	440-480V/3Ph/60Hz
Power Input for Each Fan (W)	207
Condenser Coil	
Internal Volume (L)	4.0
Heat Transfer Area (m2)	24.2
Headers	
Inlet (Inch)	1/2"
Outlet (Inch)	1/2"

Compressor Specification

Unit Model	KAL-007S6-HGX22e/125-4
Technical Data	
Condensing Unit Net Weight	120.0 kg
Displacement (1750 RPM 60Hz)	13.3 m3/hr
Max. Pressure (LP/HP)	19 / 28 bar
Connection Suction Line	22 mm - 7/8"
Connection Discharge Line	16 mm - 5/8"
Motor version	2
Motor Voltage	440-480V Y-3-60Hz
Max Operating Current	5.4 A
Max. Power Input	3.7 kW
Crankcase Heater	120 W PTC (Option)
Oil Type	E 55
Refrigerant	R404A

