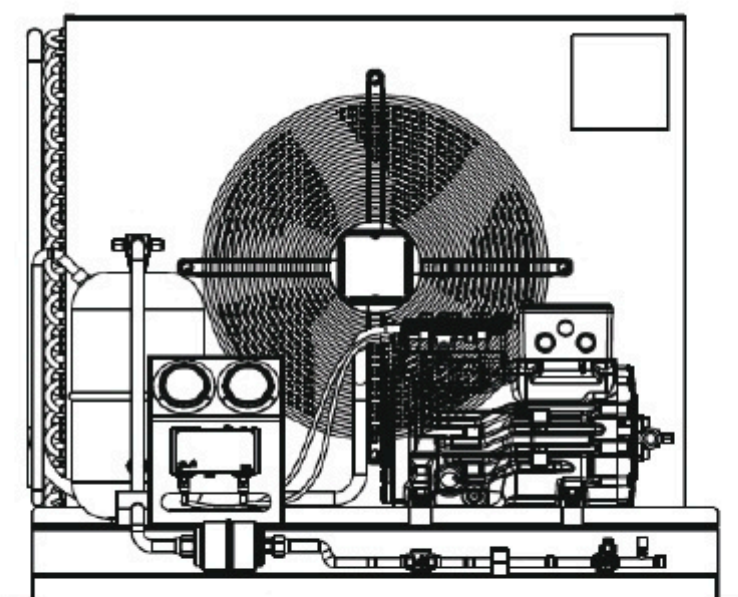


## OPERATION CAPACITY



Unit Model	(Tc)	Cooling Power	(Te) Evaporating Temperature °C						
			-5	-10	-15	-20	-25	-30	-35
KAL005S6-HGX12P/60-4S	30	Q	4870	3960	3170	2490	1910	1440	1050
		P	1.44	1.39	1.3	1.2	1.09	0.98	0.86
	35	Q	4470	3620	2880	2260	1730	1290	924
		P	1.55	1.47	1.36	1.24	1.12	0.99	0.86
	40	Q	4070	3280	2600	2030	1540	1140	811
		P	1.64	1.54	1.41	1.28	1.14	1	0.86
	45	Q	3660	2940	2320	1800	1360	995	702
		P	1.72	1.6	1.45	1.3	1.15	1	0.85
	50	Q	3260	2610	2050	1570	1180	856	596
		P	1.79	1.65	1.49	1.32	1.15	1	0.84
	55	Q	2860	2270	1770	1350	1010	721	495
		P	1.85	1.69	1.51	1.33	1.15	0.99	0.83

**Qc (Kw): 1.18**

**Pi (Kw): 1.15**

Qc: Cooling Capacity at Te = -25°C and Tc = +50°C

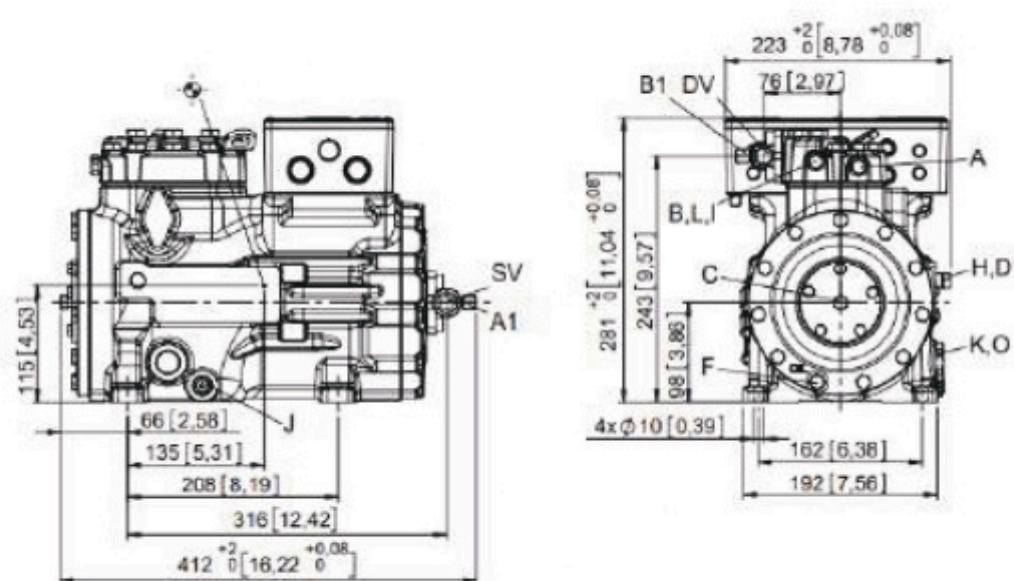
Pi: Power Input at Te = -25°C and Tc = +50°C

**Model No. : KAL-005S6-HGX12P/60-4S**



## Condenser Specification

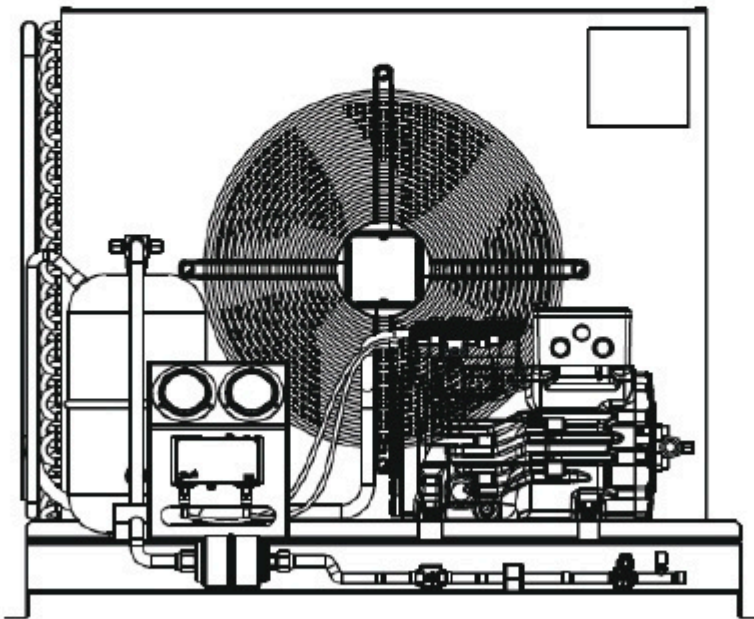
<b>Condenser Model</b>	KC 005
<b>Fan</b>	
Qty.	1
Diameter (mm)	350
Air Flow (m3/h)	2900
<b>Electrical</b>	
Supply	440-480V/3Ph/60Hz
Power Input for Each Fan (Watt)	170
<b>Condenser Coil</b>	
Internal Volume (L)	2.8
Heat Transfer Area (m2)	16.8
<b>Headers</b>	
Inlet (Inch)	1/2"
Outlet (Inch)	3/8"



## Compressor Specification

<b>Unit Model</b>	<b>KAL-005S6-HGX12P/60-4S</b>
<b>Technical Data</b>	
Condensing Unit Net Weight	90.0 kg
Displacement (1750 RPM 60Hz)	6.4 m3/hr
Max. Pressure (LP/HP)	19 / 28 bar
Connection suction line	16 mm - 5/8"
Connection discharge line	12 mm - 1/2"
Motor version	1
Motor Voltage	440-480V Y-3-60Hz
Max operating current	3.9 A
Max. Power input	2.7 kW
Crankcase heater	120 W PTC (Option)
<b>Oil Type</b>	E 55
Refrigerant	R404A

## OPERATION CAPACITY



Unit Model	(Tc)	Cooling Power	(Te) Evaporating Temperature °C					
			+5	0	-5	-10	-15	-20
KAL005S6-HGX12P/60-4S	30	Q	7100	5920	4870	3960	3170	2490
		P	1.47	1.47	1.44	1.39	1.3	1.2
	35	Q	6550	5440	4470	3620	2880	2260
		P	1.63	1.6	1.55	1.47	1.36	1.24
	40	Q	6000	4970	4070	3280	2600	2030
		P	1.77	1.72	1.64	1.54	1.41	1.28
	45	Q	5450	4500	3660	2940	2320	1800
		P	1.91	1.83	1.72	1.6	1.45	1.3
	50	Q	4900	4020	3260	2610	2050	1570
		P	2.03	1.92	1.79	1.65	1.49	1.32
	55	Q	4340	3550	2860	2270	1770	1350
		P	2.13	2	1.85	1.69	1.51	1.33

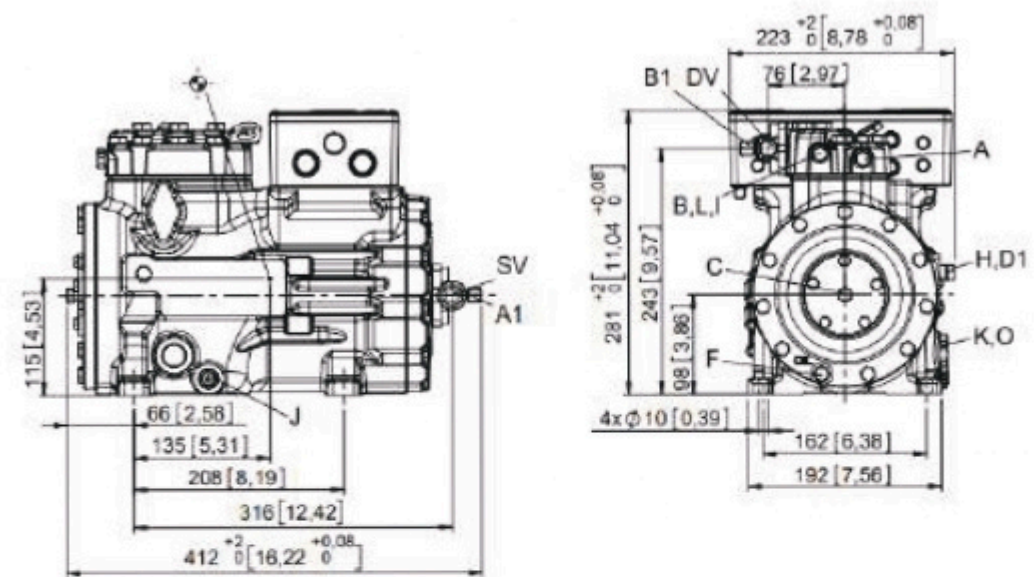
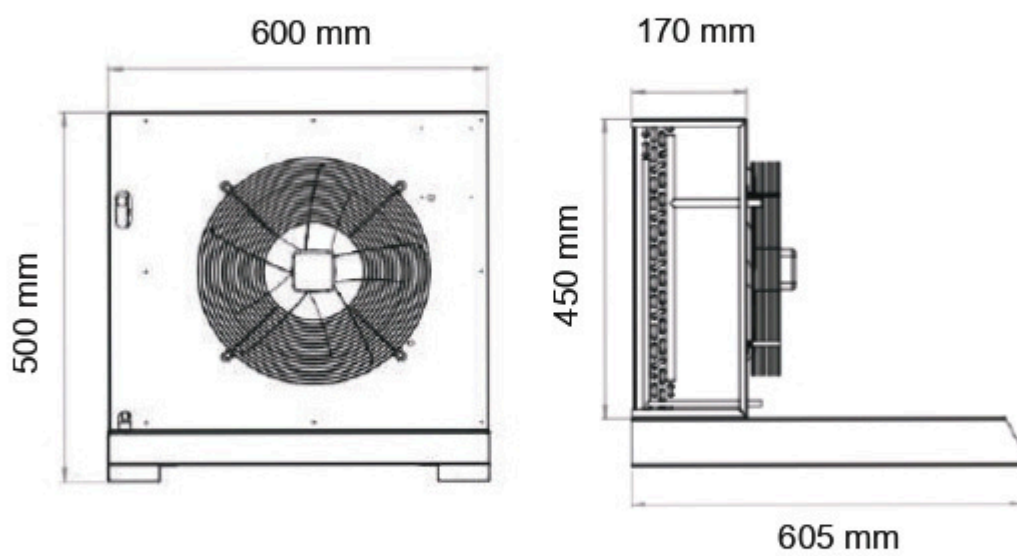
**Qc (kw): 2.86**

**Pi (kw): 1.71**

Qc: Cooling Capacity at Te = -8 °C and Tc = +50 °C

Pi: Power Input at Te = -8 °C and Tc = +50 °C

**Model No. : KAL-005S6-HGX12P/60-4S**



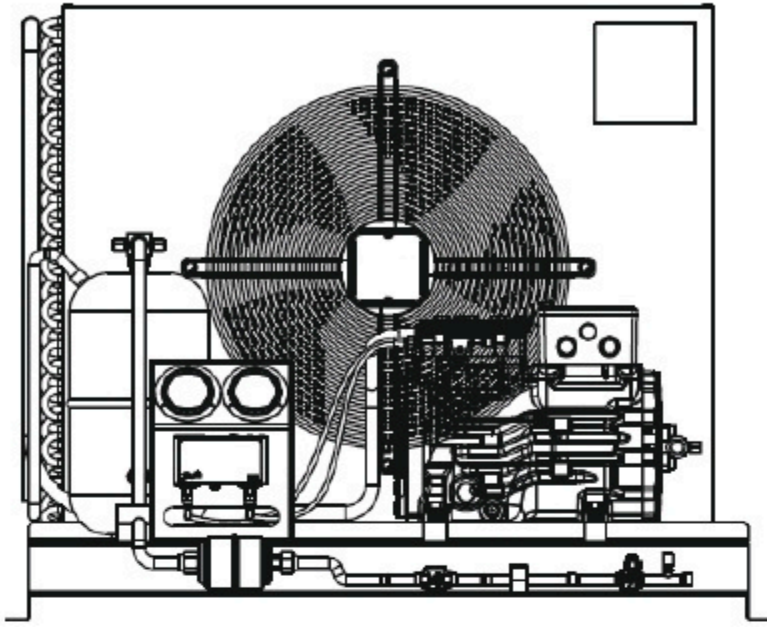
## Condenser Specification

<b>Condenser Model</b>	KC 005
<b>Fan</b>	
Qty.	1
Diameter (mm)	350
Air Flow (m <sup>3</sup> /h)	2900
<b>Electrical</b>	
supply	440-480V/3Ph/60Hz
Power Input for Each Fan (Watt)	170
<b>Condenser Coil</b>	
Internal Volume (L)	2.8
Heat Transfer Area (m <sup>2</sup> )	16.8
<b>Headers</b>	
Inlet (inch)	1/2"
Outlet (inch)	3/8"

## Compressor Specification

<b>Unit Model</b>	<b>KAL-005S6-HGX12P/60-4S</b>
<b>Technical Data</b>	
Condensing Unit Net Weight	90.0 kg
Displacement (1750 RPM 60Hz)	6.4 m <sup>3</sup> /hr
Max. Pressure (LP/HP)	19 / 28 bar
Connection suction line	16 mm - 5/8"
Connection discharge line	12 mm - 1/2"
Motor version	1
Motor Voltage	440-480V Y-3-60Hz
Max operating current	3.9 A
Max. Power input	2.7 kW
Crankcase heater	120 W PTC (Option)
<b>Oil Type</b>	E 55
Refrigerant:	R404A

## OPERATION CAPACITY



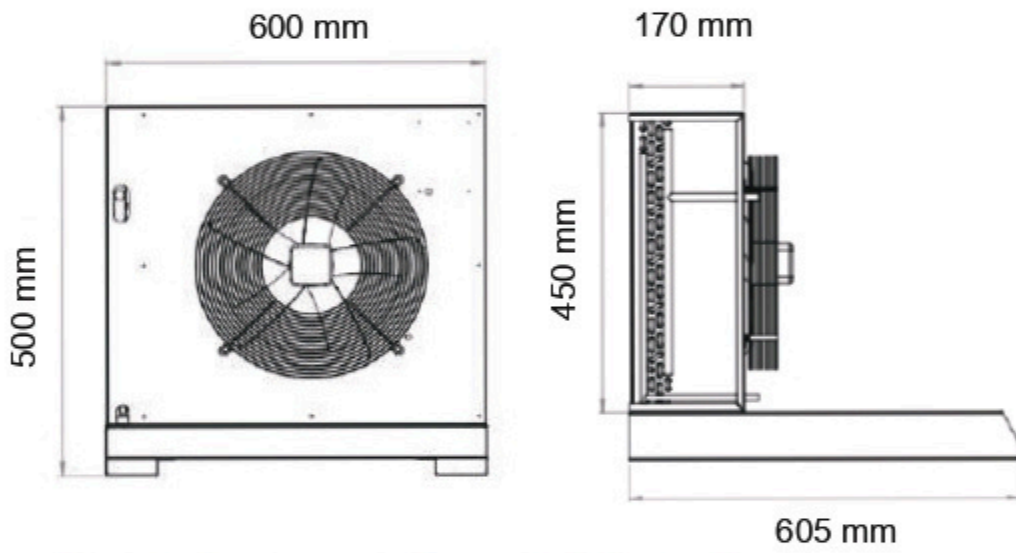
**Qc (kw): 2.92**

**Pi (kw): 1.15**

Qc: Cooling Capacity at Te = +5 °C and Tc = +55 °C

Pi: Power Input at Te = +5 °C and Tc = +55 °C

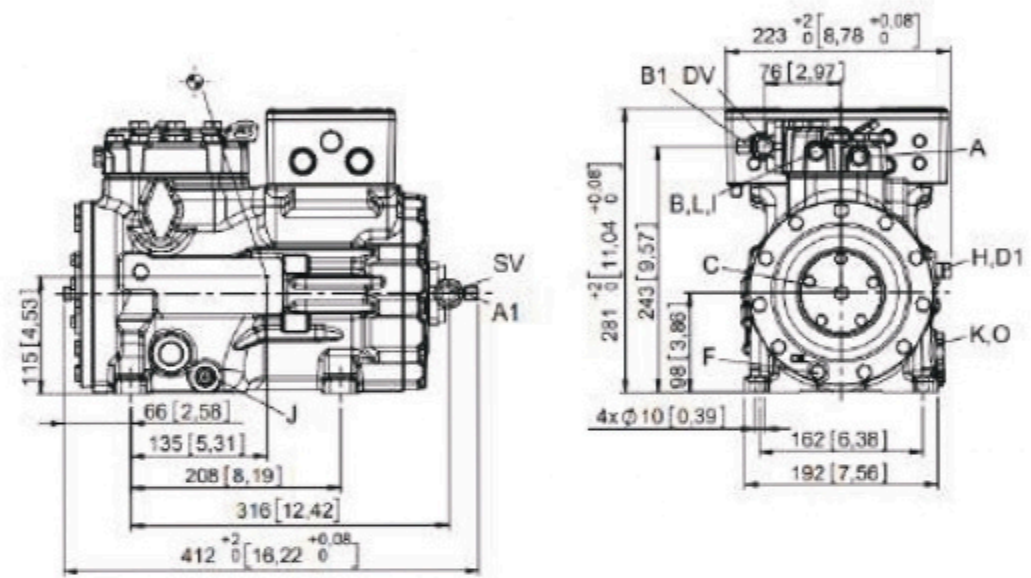
**Model No. : KAL-005S6-HGX12P/60-4S**



## Condenser Specification

<b>Condenser Model</b>	KC 005
<b>Fan</b>	
Qty.	1
Diameter (mm)	350
Air Flow (m <sup>3</sup> /h)	2900
<b>Electrical</b>	
supply	440-480V/3Ph/60Hz
Power Input for Each Fan (Watt)	170
<b>Condenser Coil</b>	
Internal Volume (L)	2.8
Heat Transfer Area (m <sup>2</sup> )	16.8
<b>Headers</b>	
Inlet (Inch)	1/2"
Outlet (Inch)	3/8"

Unit Model	(Tc)	Cooling Power	(Te) Evaporating Temperature °C					
			+10	+5	0	-5	-10	-15
KAL005S6-HGX12P/60-4S	35	Q	4950	4080	3320	2660	2090	1620
		P	0.94	0.92	0.88	0.82	0.75	0.69
	40	Q	4600	3780	3070	2450	1930	1480
		P	1.01	0.98	0.93	0.86	0.79	0.71
	45	Q	4250	3490	2830	2250	1760	1350
		P	1.09	1.04	0.98	0.9	0.82	0.74
	50	Q	3910	3200	2590	2060	1600	1210
		P	1.16	1.1	1.02	0.93	0.85	0.76
	55	Q	3570	2920	2360	1870	1450	1090
		P	1.23	1.15	1.06	0.96	0.87	0.78
	60	Q	3250	2660	2140	1690	1300	955
		P	1.3	1.2	1.09	0.99	0.89	0.79



## Compressor Specification

<b>Unit Model</b>	<b>KAL-005S6-HGX12P/60-4S</b>
<b>Technical Data</b>	
Condensing Unit Net Weight	90.0 kg
Displacement (1750 RPM 60Hz)	6.4 m <sup>3</sup> /hr
Max. Pressure (LP/HP)	19 / 28 bar
Connection suction line	16 mm - 5/8"
Connection discharge line	12 mm - 1/2"
Motor version	1
Motor Voltage	440-480V Y-3-60Hz
Max operating current	3.9 A
Max. Power input	2.7 kW
Crankcase heater	120 W PTC (Option)
<b>Oil Type</b>	E 55
Refrigerant:	R134A