

# APPROVAL SHEET

SPECIFICATIONS OF HUAYI R134a COMPRESSOR

MODEL NAME: E65HBL

BUYER:

PRINTED DATE: October 9, 2019

MANUFACTURER

HUAYI COMPRESSOR (JINGZHOU) CO., LTD.

华意压缩机(荆州)有限公司

# SPECIFICATION

● CUSTOMER:

FROM: HUAYI COMPRESSOR (JINGZHOU) CO., LTD.

华意压缩机(荆州)有限公司

● MODEL: E65HBL

DATE: October 9, 2019

● RATED VOLTAGE & FREQUENCY: 220-240V/50Hz

|               |              |                  |
|---------------|--------------|------------------|
| PREPARED      | CHECKED      | APPROVED         |
| Wang Zhongwei | Fan HongXing | Zhang Changxiang |

● SPEC. NO.:

● PARTS LIST

| PART LIST        |                                 | HUAYI SUPPLY | PART NO. | QTY | SPECIFICATION                            |
|------------------|---------------------------------|--------------|----------|-----|--|
| COMPRESSOR       | PERFORMANCE                     |              |          |     |  |
| COMPRESSOR       | WIRING DIAGRAM                  |              |          |     |  |
| COMPRESSOR       | EXPLODED VIEW                   |              |          |     |  |
| ELECTRICAL PARTS | OLP + Spring taps               |              |          | 1   | DRB174N61A2/BT42-120A61D3/BT42-120 (081) |
| ELECTRICAL PARTS | STARTING DEVICE                 |              |          | 1   | QP2-22/QP2-22/JPQ II -22 (015)           |
| ELECTRICAL PARTS | RUNNING CAPACITOR               |              |          | 1   | 3 μ F                                    |
| ELECTRICAL PARTS | TERMINAL COVER +<br>SPRING TAPS |              |          | 1   | PC, SPRING STEEL                         |
| ELECTRICAL PARTS | EARTH BOLT                      |              |          | 1   |  |
| MOUNTING PARTS   | SEAT RUBBER                     |              |          | 4   |  |
| MOUNTING PARTS   | MOUNTING SLEEVE                 |              |          | 4   |  |
| MOUNTING PARTS   | FLAT WASHER                     |              |          | 4   |  |

\*CUSTOMER' S MEMO\*

CUSTOMER' S APPROVAL

Checked by:

Approved by:

\*Please return one copy of this page on your approval.

20191009-E65HBL

4-1

# Performance & Dimension

## Application

|                            |                              |
|----------------------------|------------------------------|
| Type .....                 | Low Back Pressure            |
| Evaporating Temp. Range... | -35°C to -15°C(-31°F to 5°F) |
| Refrigerant.....           | R134a                        |
| Refrigerant control.....   | Capillary tube               |
| Compressor cooling .....   | Static cooling               |

## Normal Performance (ASHRAE) 50Hz

|                   |                |       |
|-------------------|----------------|-------|
| Capacity          | Watt ±5%       | 168   |
|                   | Kcal/h ±5%     | 144.5 |
|                   | BTU/h ±5%      | 573.2 |
| Power consumption | W+15%          | 115   |
| C. O. P.          | W/W ±5%        | 1.46  |
| EER               | BTU/(W. h) ±5% | 4.98  |
| NOISE             | dB(A)          | 45    |

## Testing condition

|                        |                 |
|------------------------|-----------------|
| Evaporation Temp. .... | -23.3°C (-10°F) |
| Condensing Temp. ....  | 54.4°C (130°F)  |
| Ambient Temp. ....     | 32.2°C (90°F)   |
| Return Gas Temp. ....  | 32.2°C (90°F)   |
| Liquid Temp. ....      | 32.2°C (90°F)   |

## Compressor Date

|                   |                    |
|-------------------|--------------------|
| Design.....       | Reciprocating      |
| Displacement..... | 6.3cm <sup>3</sup> |

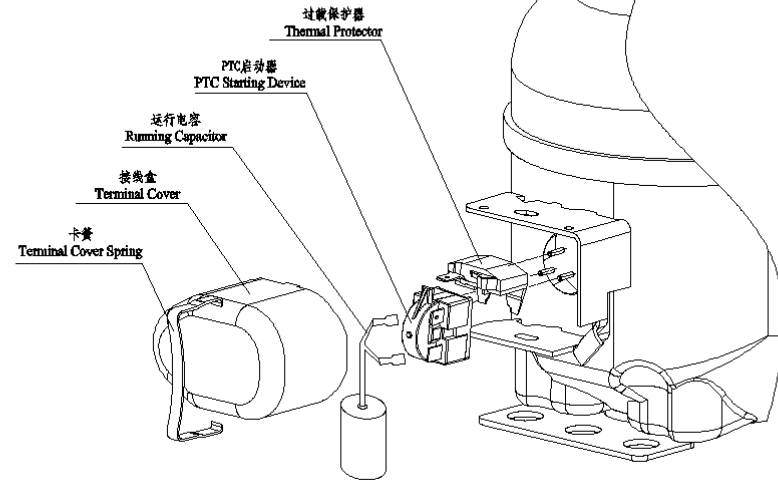
|                         |                        |
|-------------------------|------------------------|
| Suction Tube I.D.....   | I. D φ 6.10 ~ φ 6.20mm |
| Process Tube I.D.....   | I. D φ 6.10 ~ φ 6.20mm |
| Discharge Tube I.D..... | I. D φ 4.90 ~ φ 5.00mm |

|                              |       |
|------------------------------|-------|
| Weight(with oil charge)..... | 8.3Kg |
|------------------------------|-------|

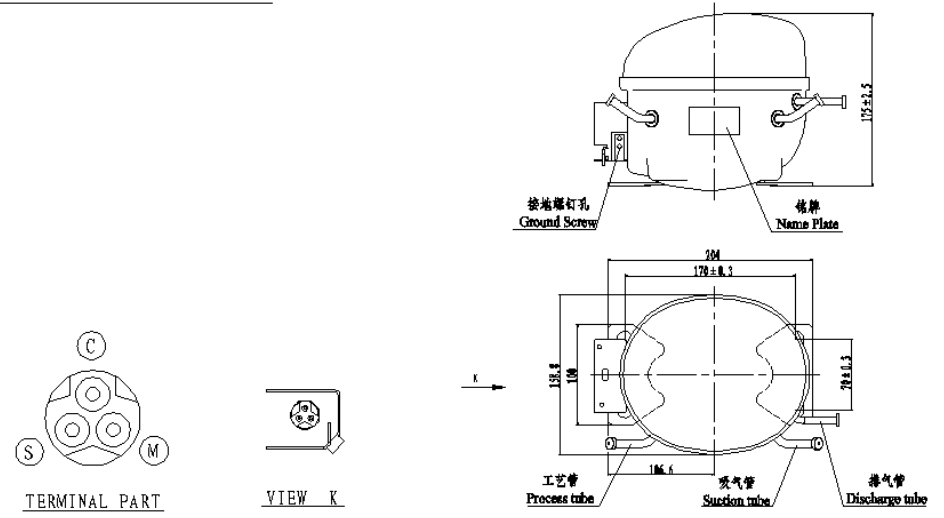
## Motor Date

|                                |                     |
|--------------------------------|---------------------|
| Motor type .....               | RSCR                |
| Motor protection.....          | External protection |
| Winding Insulation Class ..... | E Class             |

## EXPLODED VIEW



## OVERALL DIMENSION



## Electrical components

Overload protector..... DRB174N61A2/BT42-120A61D3/BT42-120

Ultimate Trip current (at 90°C)..... 1.1~1.6A

Opening temperature.....  $120 \pm 5^\circ\text{C}$

Closing temperature.....  $61 \pm 9^\circ\text{C}$

Manufacture..... Star Shuaier/Sen Bao/Lan Xi

Starting Device ..... QP2-22/QP2-22/JPQ II -22

Manufacture ..... Star Shuaier/Sen Bao/Lan Xi

Running Capacitor Capacity .....  $3 \mu\text{F}$

Voltage..... 450V

Starting Capacitor Capacity..... N.A.

Voltage..... N.A.

## Lubricant

Lubricant type..... Polyol Ester (POE)

Lubricant Viscosity at  $40^\circ\text{C}$

Domestic..... RB-15HY-SN

Export..... RB-15HY-SN

Initial charge .....  $250 \pm 10\text{ml}$

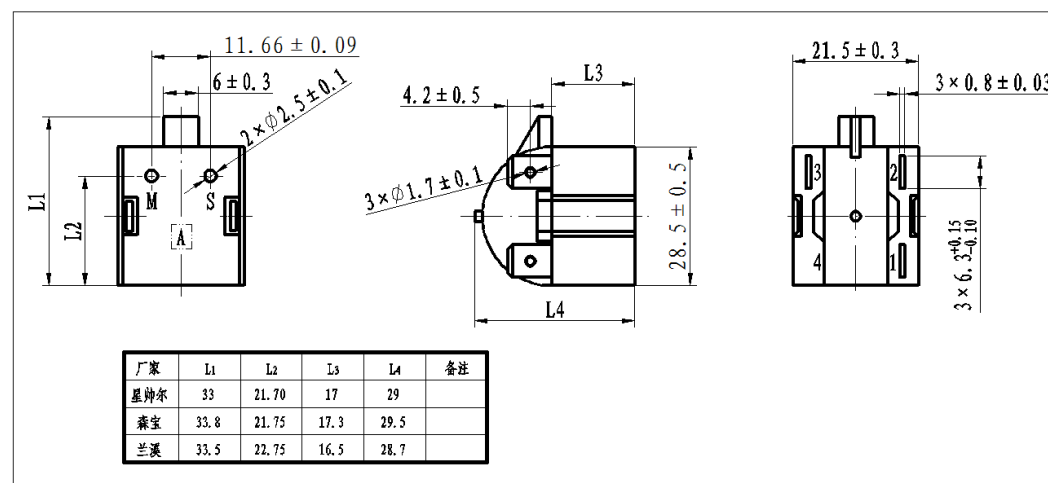
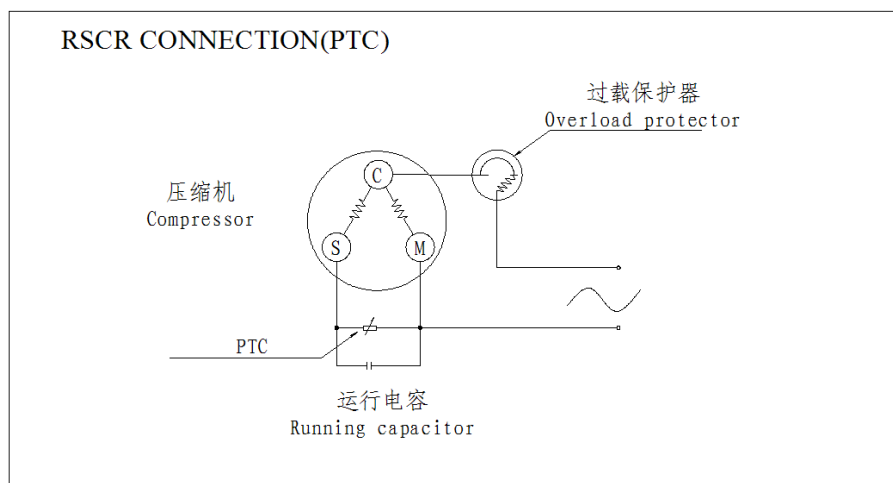
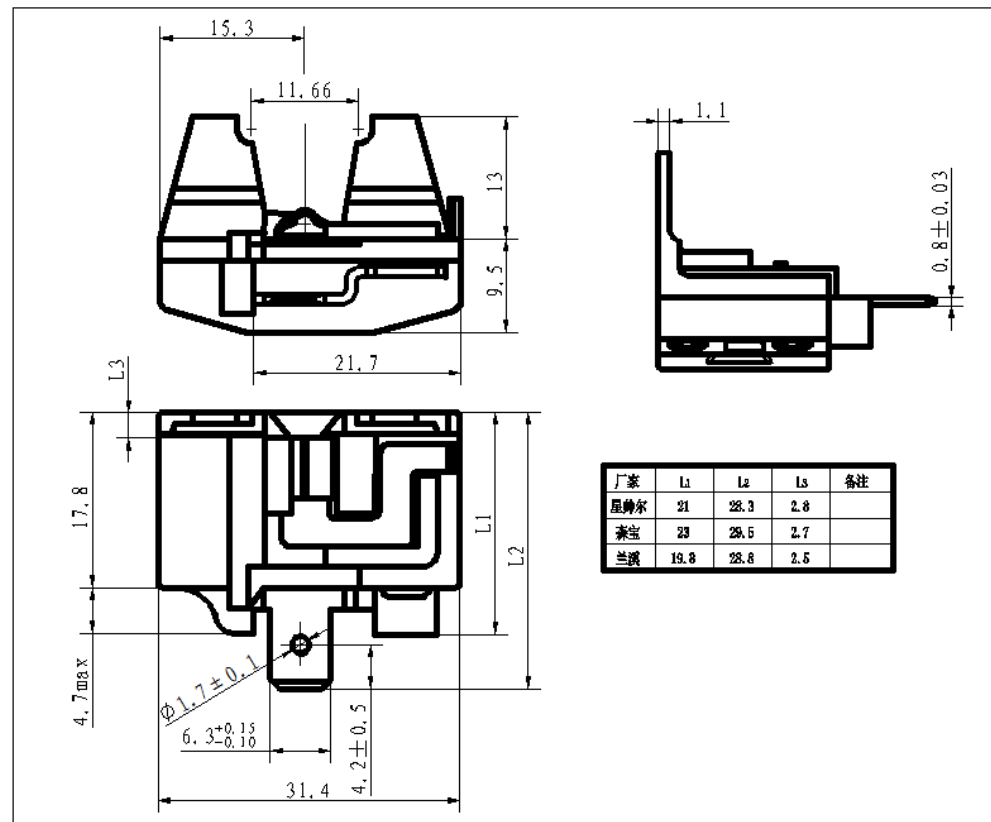
Recharge ..... 85%

Tray Holder ..... N.A.

Earth plate..... N.A.

Approved Certification..... N.A.

## Wire Drawing



Cover & Accessories

