

APPROVAL SHEET

SPECIFICATIONS OF HUAYI R134a COMPRESSOR

MODEL NAME: E59H

BUYER:

PRINTED DATE: October 15, 2019

MANUFACTURER

HUAYI COMPRESSOR (JINGZHOU) CO., LTD.

华意压缩机(荆州)有限公司

SPECIFICATION

● CUSTOMER:

FROM: HUAYI COMPRESSOR (JINGZHOU) CO., LTD.

华意压缩机(荊州)有限公司

● MODEL: E59H

DATE: October 15, 2019

● RATED VOLTAGE & FREQUENCY: 220-240V/50Hz

PREPARED	CHECKED	APPROVED
Wang Zhongwei	Fan HongXing	Zhang Changxiang

● SPEC. NO.:

● PARTS LIST

PART LIST		HUAYI SUPPLY	PART NO.	QTY	SPECIFICATION
COMPRESSOR	PERFORMANCE				
COMPRESSOR	WIRING DIAGRAM				
COMPRESSOR	EXPLODED VIEW				
ELECTRICAL PARTS	OLP + Spring taps			1	DRB14N61A1/BT35-120A61D3 (106)
ELECTRICAL PARTS	STARTING DEVICE			1	QP2-22/QP2-22 (015)
ELECTRICAL PARTS	RUNNING CAPACITOR			1	10 μ F (5 μ F)
ELECTRICAL PARTS	TERMINAL COVER + SPRING TAPS			1	PC, SPRING STEEL
ELECTRICAL PARTS	EARTH BOLT			1	
MOUNTING PARTS	SEAT RUBBER			4	
MOUNTING PARTS	MOUNTING SLEEVE			4	
MOUNTING PART	FLAT WASHER			4	

CUSTOMER' S MEMO

CUSTOMER' S APPROVAL

Checked by:

Approved by:

*Please return one copy of this page on your approval.

20191015-E59H

4-1

Performance & Dimension

Application

Type	Low Back Pressure
Evaporating Temp. Range...	-35°C to -15°C(-31°F to 5°F)
Refrigerant.....	R134a
Refrigerant control.....	Capillary tube
Compressor cooling	Static cooling

Normal Performance (ASHRAE) 50Hz

Capacity	Watt ±5%	145
	Kcal/h ±5%	125
	BTU/h ±5%	495
Power consumption	W+15%	96
C. O. P.	W/W ±5%	1.50
EER	BTU/(W. h) ±5%	5.12
NOISE	dB(A)	43

Testing condition

Evaporation Temp.	-23.3°C (-10°F)
Condensing Temp.	54.4°C (130°F)
Ambient Temp.	32.2°C (90°F)
Return Gas Temp.	32.2°C (90°F)
Liquid Temp.	32.2°C (90°F)

Compressor Date

Design.....	Reciprocating
Displacement.....	5.6cm ³

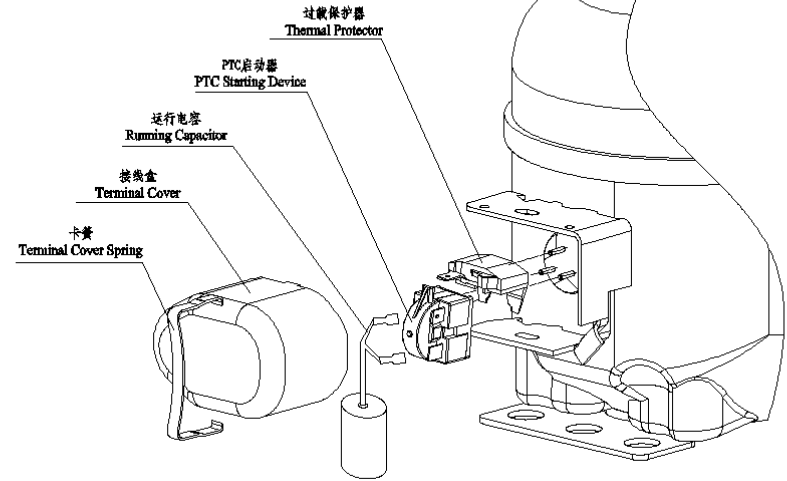
Suction Tube I.D.....	I. D φ 6.10 ~ φ 6.20mm
Process Tube I.D.....	I. D φ 6.10 ~ φ 6.20mm
Discharge Tube I.D.....	I. D φ 4.90 ~ φ 5.00mm

Weight(with oil charge).....	7.5Kg
------------------------------	-------

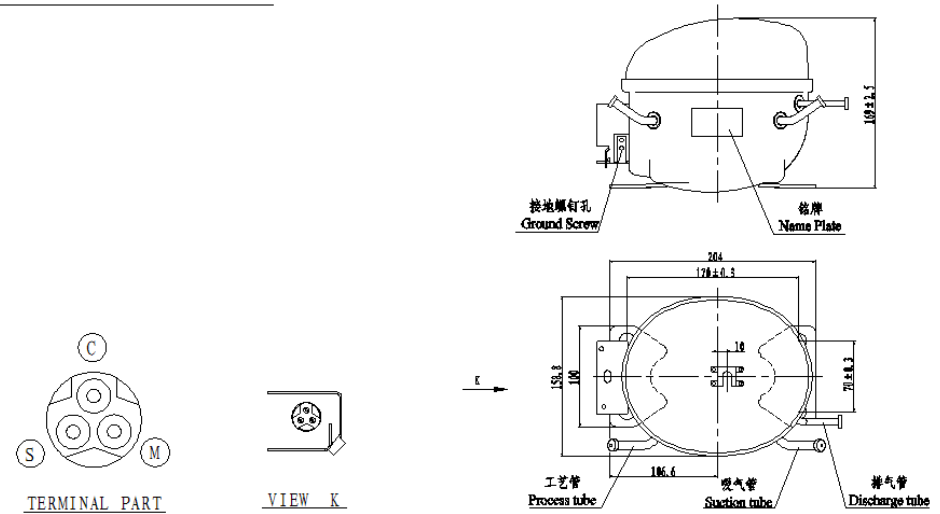
Motor Date

Motor type	RSCR
Motor protection.....	External protection
Winding Insulation Class	E Class

EXPLODED VIEW



OVERALL DIMENSION



Electrical components

Overload protector DRB14N61A1/BT35-120A61D3
 Ultimate Trip current (at 90°C) ... 0.85~1.15A
 Opening temperature 120±5°C
 Closing temperature 61±9°C
 Manufacture Star Shuaier/Senbao

Starting Device QP2-22
 Manufacture Star Shuaier/Senbao
 Running Capacitor Capacity 10 μF (5 μF)
 Voltage 450V
 Starting Capacitor Capacity N. A.
 Voltage N. A.

Lubricant

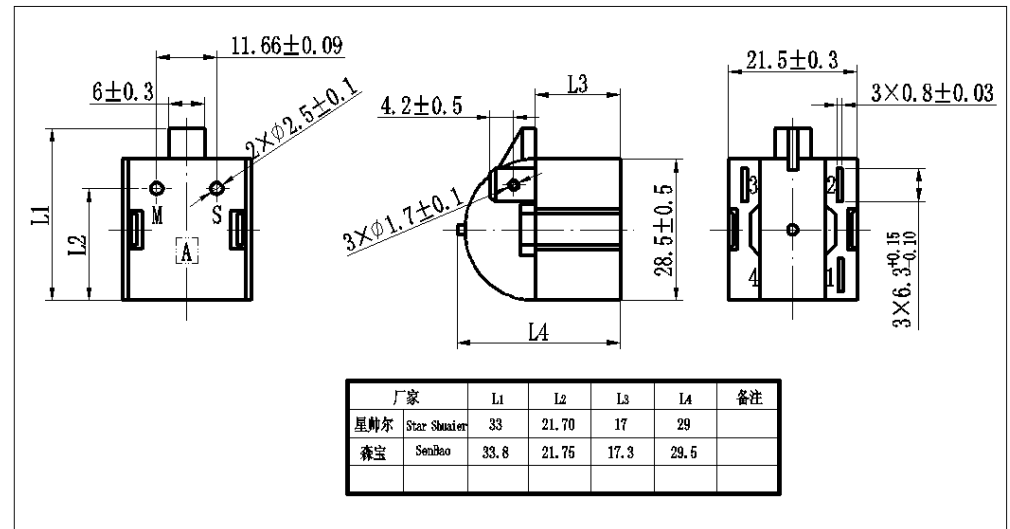
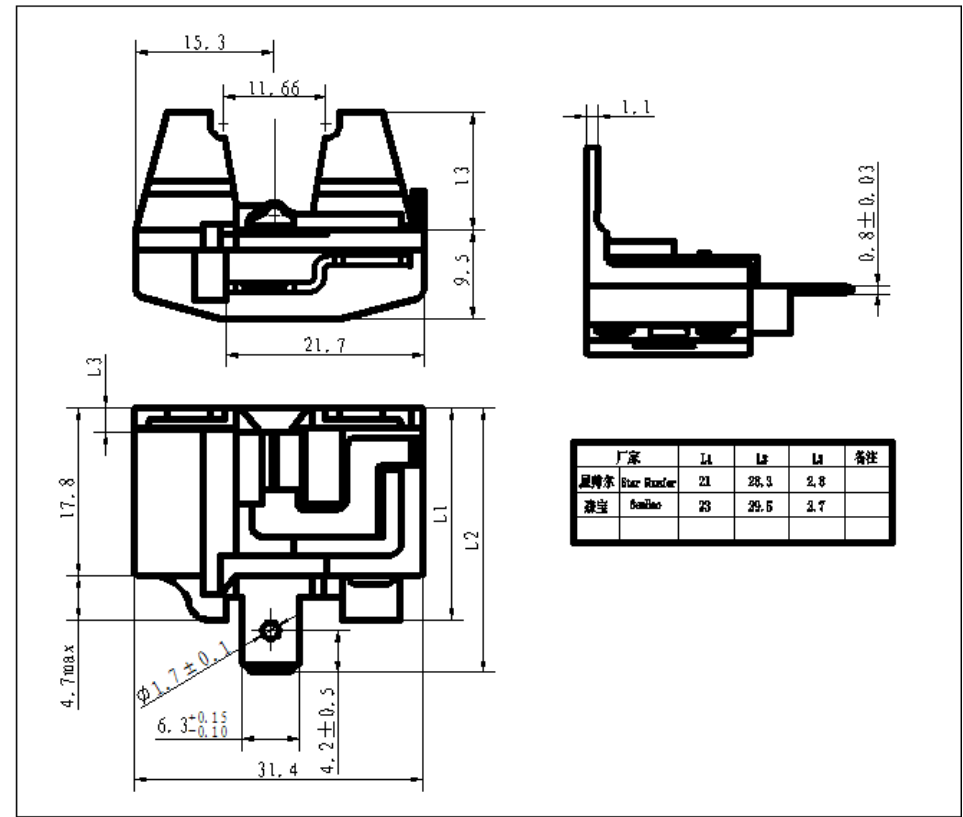
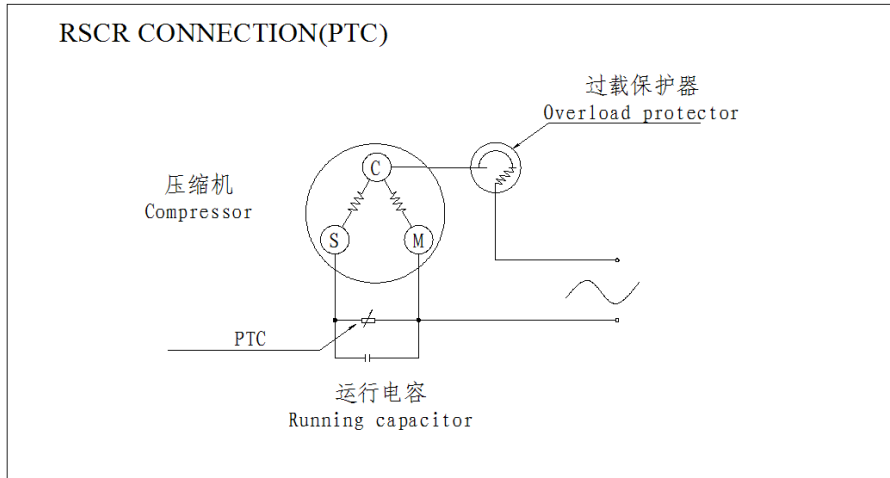
Lubricant type Polyol Ester (POE)
 Lubricant Viscosity at 40°C
 Domestic RB-15HY-SN
 Export RB-15HY-SN
 Initial charge 250±10ml
 Recharge 85%

Tray Holder N. A.

Earth plate N. A.

Approved Certification N. A.

Wire Drawing



Cover & Accessories

