

Item : Item 16
 Typ : Cubic

Date 03/07/2025
 Version : 4.22

3C-E 4366 E (Multi Refrigerant)



Total capacity : 19.15 kW DT1 (Dew) / DTM (Mean) : 7 / 7.2 K

Operating conditions

Refrigerant : R404A
 Room temperature : -18 °C
 Unit number : 1
 Pressure : -1 bar / 25 bar

Aeraulic characteristics (per unit)

Nb. and diameter of fans : 3 x 450 (AC fan)
 Air flow-rate : 12170 m3/h
 Pressure : 0 Pa
 Air throw : 36 m
 Lp (at 4m) : 51 dB(A)

Coil characteristics (per unit)

Surface : 82.9 m²
 Volume : Fin 13.1 dm³
 spacing : Inlet 4 mm
 / Outlet : 1"1/8-1" 5/8 (D)

Electrical characteristics (per unit)

Rotation speed : 1370
 Maximum input power : tr/min 3 x
 Maximum operating current : 410 W 3 x
 Motor coupling : 0.87 A Star
 Voltage/ Nb Phases / Frequency : 230-400V / 3 / 50Hz

Dimensional characteristics (per unit)

Dimensions (L/D/H) : 2211/593/635 mm
 Empty net weight : 87 kg
 Packaging (L/D/H) : 2320 / 750 / 750 mm
 Packed unit weight : 135 kg
 Standard packaging : Pallet

Standard defrost characteristics

Defrost power : 9720 W
 Defrost current : 14 A
 Voltage/ Nb Phases / Frequency : 400V / 3 / 50Hz
 Number of elements : 8 + 1

We remind you that since January 1st, 2020, F-GAS has imposed restrictions on the use of the R404A in Europe. Please make sure that your installation complies with EU Regulation No. 517/2014.

(1) The average acoustic pressure level in dB(A) measured at 4 m, at fan height, in direct line of sight on a reflective surface, are given as an example. Only the acoustic pressure spectrum and Lw value, are contractually binding and may be used to evaluate.

All prices are retail prices 2025. Our proposals, quotes and order acceptances are subject to our general terms of sale.

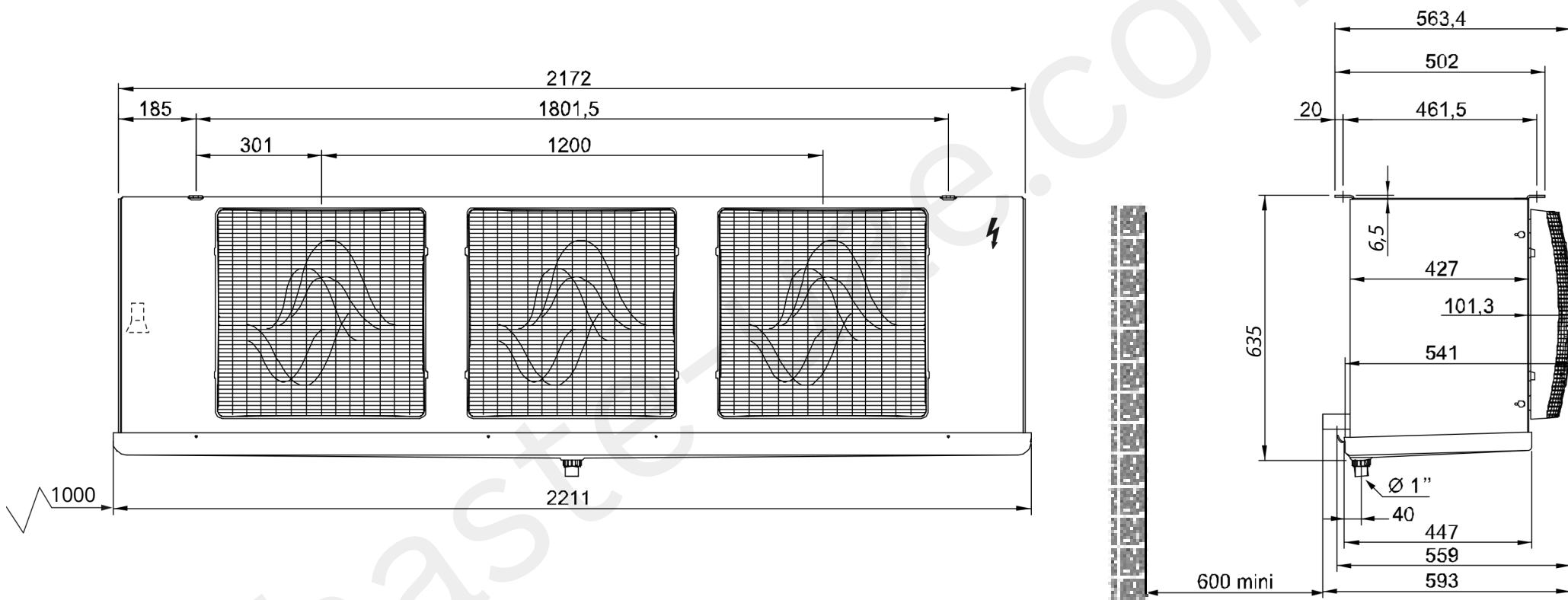
FRIGA-BOHN
42, Rue Roger SALENGRO BP 205
69 741 GENAS - FRANCE
Tel. : +33(0)472 471 444 - Fax : +33(0)472 471 399
Email : customer.serv@lennoxemea.com



Item : Item 16
Typ : Cubic

Date 03/07/2025
Version : 4.22

Model: 3C-E 4366 E (Drawings are only indicative)



All prices are retail prices 2025. Our proposals, quotes and order acceptances are subject to our general terms of sale.