

Item : Item 16  
 Typ : Cubic

Date 24/04/2025  
 Version : 4.22

**3C-E 3454 R (Multi Refrigerant)**



Total capacity : 10 kW

DT1 (Dew) / DTM (Mean) : 7.7 / 7.7 K

Operating conditions

Refrigerant : R22  
 Room temperature : 2 °C  
 Unit number : 1  
 Pressure : -1 bar / 25 bar

Aeraulic characteristics (per unit)

Nb. and diameter of fans : 4 x 300 (AC fan)  
 Air flow-rate : 4840 m<sup>3</sup>/h  
 Pressure : 0 Pa  
 Air throw : 24 m  
 Lp (at 4m) : 37 dB(A)

Coil characteristics (per unit)

Surface : 41 m<sup>2</sup>  
 Volume : Fin 6.5 dm<sup>3</sup>  
 spacing : Inlet 4 mm  
 / Outlet : 1"1/8-1"1/8 (D)

Electrical characteristics (per unit)

Rotation speed : 1350 tr/min  
 Maximum input power : 4 x 100 W  
 Maximum operating current : 4 x 0.7 A  
 Motor coupling : -  
 Voltage/ Nb Phases / Frequency : 230V / 1 / 50-60Hz

Dimensional characteristics (per unit)

Dimensions (L/D/H) : 2367/480/428 mm  
 Empty net weight : 50 kg  
 Packaging (L/D/H) : 2480 / 650 / 600 mm  
 Packed unit weight : 87 kg  
 Standard packaging : Pallet

(1) The average acoustic pressure level in dB(A) measured at 4 m, at fan height, in direct line of sight on a reflective surface, are given as an example. Only the acoustic pressure spectrum and Lw value, are contractually binding and may be used to evaluate.

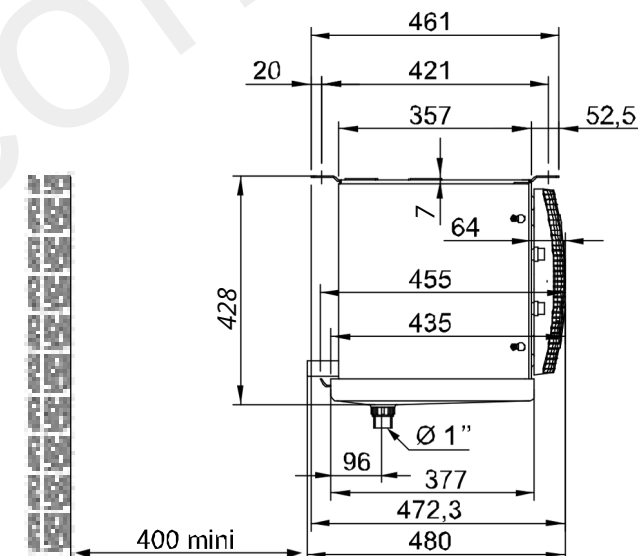
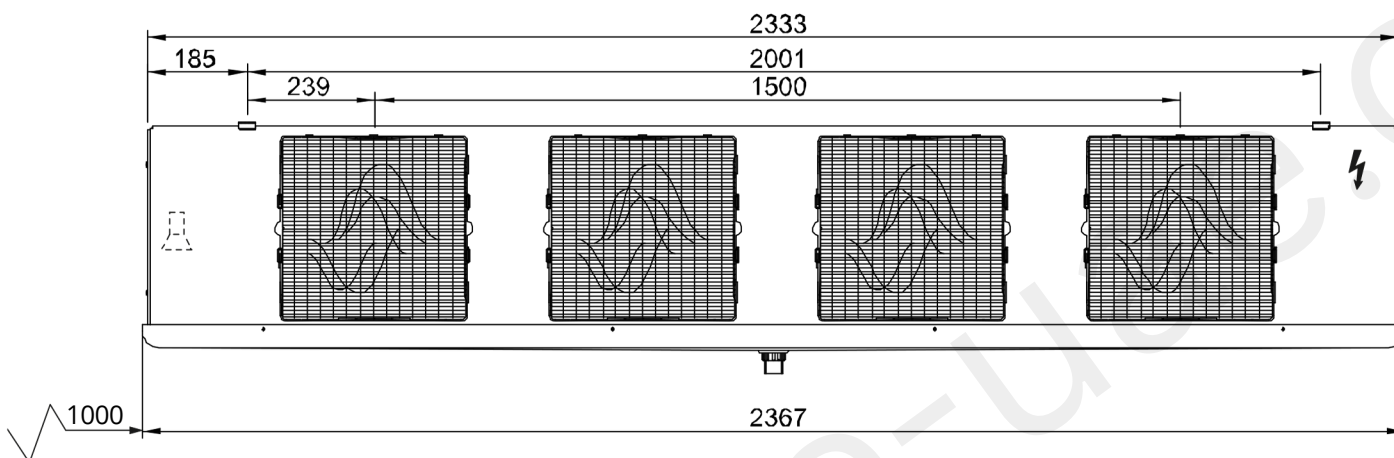
FRIGA-BOHN  
42, Rue Roger SALENGRO BP 205  
69 741 GENAS - FRANCE  
Tel. : +33(0)472 471 444 - Fax : +33(0)472 471 399  
Email : customer.serv@lennoxemea.com



Item : Item 16  
Typ : Cubi c

Date 24/04/2025  
Version : 4.22

Model: 3C-E 3454 R (Drawings are only indicative)



All prices are retail prices 2025. Our proposals, quotes and order acceptances are subject to our general terms of sale.